

GN 146.3

Flanged connector clamps

•Material

Aluminium.

•Finish

- Version **SW**: RAL 9005 black colour, matte finish, epoxy resin coating.
- Version **BL**: blank, matte shot-blasted.

•Clamping screw

- Identification no. **1**: with clamping screw DIN 912 and nut DIN 985, zinc-plated.
- Identification no. **2**: with AISI 304 stainless steel-clamping screw DIN 912 and nut DIN 985.

•Assembly

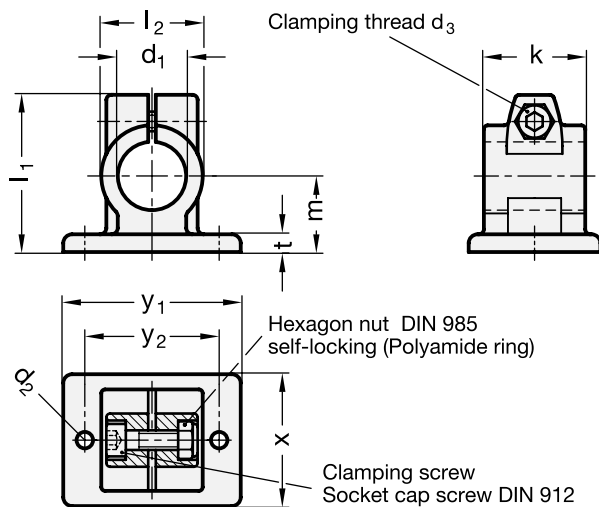
The standard clamping bolts are socket cap screws DIN 912, supplied assembled. They can be replaced by clamping kits GN 911 (description see table of dimensions).

Features and applications

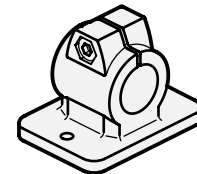
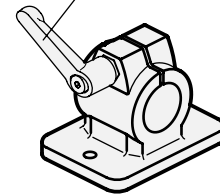
The clamping bores of the flanged connector clamps GN 146.3 are mechanically machined and designed for construction tubings GN 990 or DIN 2391, DIN 2395 and DIN 2462 respectively. Flanged connector clamps GN 146.3 are also suitable for mounting on **profile systems**.

Accessories

- Construction tubings GN 990 (see page 109ff.).
- Clamping kits GN 911 (clamping handles GN 300.1 with distance bushing) see page 116.



Adjustable clamping lever GN 911



| Standard Elements | Main dimensions | | | | | | | | | | | Clamping kits for d ₃ | g |
|---------------------|-----------------|----------------------|----------------|----------------|----------------|----------------|----|----|----|----------------|----------------|----------------------------------|-----|
| | d ₁ | k Clamping length | d ₂ | d ₃ | l ₁ | l ₂ | m | t | x | y ₁ | y ₂ | | |
| GN 146.3-B20-40-1-* | B20 | 40 | 6.5 | M8 | 62 | 40 | 30 | 7 | 52 | 70 | 53 | GN 911-M8-32 | 180 |
| GN 146.3-B25-40-1-* | B25 | 40 | 6.5 | M8 | 62 | 40 | 30 | 7 | 52 | 70 | 53 | GN 911-M8-32 | 180 |
| GN 146.3-B30-40-1-* | B30 | 40 | 6.5 | M8 | 62 | 40 | 30 | 7 | 52 | 70 | 53 | GN 911-M8-32 | 160 |
| GN 146.3-B30-56-1-* | B30 | 56 | 8.5 | M10 | 83 | 56 | 42 | 10 | 78 | 108 | 82 | GN 911-M10-40 | 510 |
| GN 146.3-B32-56-1-* | B32 | 56 | 8.5 | M10 | 83 | 56 | 42 | 10 | 78 | 108 | 82 | GN 911-M10-40 | 480 |
| GN 146.3-B35-56-1-* | B35 | 56 | 8.5 | M10 | 83 | 56 | 42 | 10 | 78 | 108 | 82 | GN 911-M10-40 | 480 |
| GN 146.3-B40-56-1-* | B40 | 56 | 8.5 | M10 | 83 | 56 | 42 | 10 | 78 | 108 | 82 | GN 911-M10-40 | 440 |
| GN 146.3-B20-40-2-* | B20 | 40 | 6.5 | M8 | 62 | 40 | 30 | 7 | 52 | 70 | 53 | GN 911-M8-32 | 180 |
| GN 146.3-B25-40-2-* | B25 | 40 | 6.5 | M8 | 62 | 40 | 30 | 7 | 52 | 70 | 53 | GN 911-M8-32 | 180 |
| GN 146.3-B30-40-2-* | B30 | 40 | 6.5 | M8 | 62 | 40 | 30 | 7 | 52 | 70 | 53 | GN 911-M8-32 | 160 |
| GN 146.3-B30-56-2-* | B30 | 56 | 8.5 | M10 | 83 | 56 | 42 | 10 | 78 | 108 | 82 | GN 911-M10-40 | 510 |
| GN 146.3-B32-56-2-* | B32 | 56 | 8.5 | M10 | 83 | 56 | 42 | 10 | 78 | 108 | 82 | GN 911-M10-40 | 480 |
| GN 146.3-B35-56-2-* | B35 | 56 | 8.5 | M10 | 83 | 56 | 42 | 10 | 78 | 108 | 82 | GN 911-M10-40 | 480 |
| GN 146.3-B40-56-2-* | B40 | 56 | 8.5 | M10 | 83 | 56 | 42 | 10 | 78 | 108 | 82 | GN 911-M10-40 | 440 |

* Complete the description of the standard item needed by adding the finish of the connector clamps: BL (blank) or SW (black).