

GN 146

Flanged connector clamps

•Material

Aluminium.

•Finish

- Version **SW**: RAL 9005 black colour, matte finish, epoxy resin coating.
- Version **BL**: blank, matte shot-blasted.

•Clamping screw

- Identification no. **1**: with clamping screw DIN 912 and nut DIN 985, zinc-plated.
- Identification no. **2**: with AISI 304 stainless steel-clamping screw DIN 912 and nut DIN 985.

•Assembly

The standard clamping bolts are socket cap screws DIN 912, supplied assembled. They can be replaced by clamping kits GN 911 (description see table of dimensions).

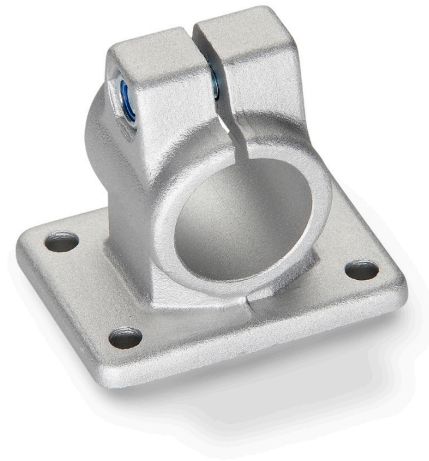
Features and applications

The clamping bores of the flanged connector clamps GN 146 are mechanically machined and designed for construction tubings GN 990 or DIN 2391, DIN 2395 and DIN 2462 respectively.

The standard clamping bolts are socket cap screws DIN 912. They can be used in place of adjustable clamping levers GN 911 (see table of dimensions).

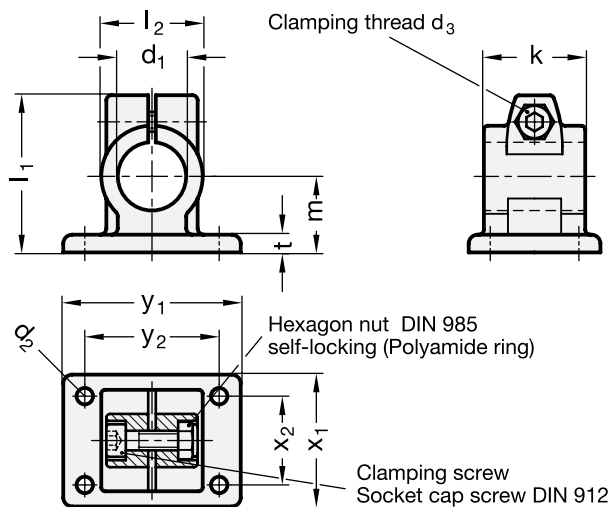
Accessories

- Construction tubings GN 990 (see page 109ff.).
- Clamping kits GN 911 (clamping handles GN 300.1 with distance bushing) see page 116.

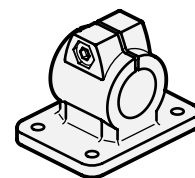
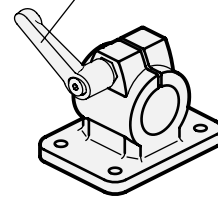


24

Tube clamp connectors, Linear actuators



Adjustable clamping lever GN 911



Standard Elements Description	Main dimensions												Clamping kits for d3	g
	d1	k Clamping length	d2	d3	l1	l2	m	t	x1	x2	y1	y2		
GN 146-B20-40-1-*	B20	40	6.5	M8	62	40	30	7	52	35	70	53	GN 911-M8-32	194
GN 146-B25-40-1-*	B25	40	6.5	M8	62	40	30	7	52	35	70	53	GN 911-M8-32	179
GN 146-B30-40-1-*	B30	40	6.5	M8	62	40	30	7	52	35	70	53	GN 911-M8-32	159
GN 146-B30-56-1-*	B30	56	8.5	M10	83	56	42	10	78	52	108	82	GN 911-M10-40	511
GN 146-B32-56-1-*	B32	56	8.5	M10	83	56	42	10	78	52	108	82	GN 911-M10-40	476
GN 146-B35-56-1-*	B35	56	8.5	M10	83	56	42	10	78	52	108	82	GN 911-M10-40	480
GN 146-B40-56-1-*	B40	56	8.5	M10	83	56	42	10	78	52	108	82	GN 911-M10-40	438
GN 146-B40-65-1-*	B40	65	11	M10	95	65	50	14	92	62	128	98	GN 911-M10-55	794
GN 146-B42-65-1-*	B42	65	11	M10	95	65	50	14	92	62	128	98	GN 911-M10-55	764
GN 146-B45-65-1-*	B45	65	11	M10	95	65	50	14	92	62	128	98	GN 911-M10-55	736
GN 146-B48-65-1-*	B48	65	11	M10	95	65	50	14	92	62	128	98	GN 911-M10-55	694
GN 146-B50-65-1-*	B50	65	11	M10	95	65	50	14	92	62	128	98	GN 911-M10-55	683
GN 146-B50-80-1-*	B50	80	11	M10	112	80	60	14	110	74	154	118	GN 911-M10-55	1320
GN 146-B55-80-1-*	B55	80	11	M10	112	80	60	14	110	74	154	118	GN 911-M10-55	1220
GN 146-B60-80-1-*	B60	80	11	M10	112	80	60	14	110	74	154	118	GN 911-M10-55	1120
GN 146-B20-40-2-*	B20	40	6.5	M8	62	40	30	7	52	35	70	53	GN 911-M8-32	194
GN 146-B25-40-2-*	B25	40	6.5	M8	62	40	30	7	52	35	70	53	GN 911-M8-32	179
GN 146-B30-40-2-*	B30	40	6.5	M8	62	40	30	7	52	35	70	53	GN 911-M8-32	159
GN 146-B30-56-2-*	B30	56	8.5	M10	83	56	42	10	78	52	108	82	GN 911-M10-40	510
GN 146-B32-56-2-*	B32	56	8.5	M10	83	56	42	10	78	52	108	82	GN 911-M10-40	476
GN 146-B35-56-2-*	B35	56	8.5	M10	83	56	42	10	78	52	108	82	GN 911-M10-40	480
GN 146-B40-56-2-*	B40	56	8.5	M10	83	56	42	10	78	52	108	82	GN 911-M10-40	435
GN 146-B40-65-2-*	B40	65	11	M10	95	65	50	14	92	62	128	98	GN 911-M10-55	794
GN 146-B42-65-2-*	B42	65	11	M10	95	65	50	14	92	62	128	98	GN 911-M10-55	760
GN 146-B45-65-2-*	B45	65	11	M10	95	65	50	14	92	62	128	98	GN 911-M10-55	736
GN 146-B48-65-2-*	B48	65	11	M10	95	65	50	14	92	62	128	98	GN 911-M10-55	694
GN 146-B50-65-2-*	B50	65	11	M10	95	65	50	14	92	62	128	98	GN 911-M10-55	680
GN 146-B50-80-2-*	B50	80	11	M10	112	80	60	14	110	74	154	118	GN 911-M10-55	1320
GN 146-B55-80-2-*	B55	80	11	M10	112	80	60	14	110	74	154	118	GN 911-M10-55	1120
GN 146-B60-80-2-*	B60	80	11	M10	112	80	60	14	110	74	154	118	GN 911-M10-55	1120

* Complete the description of the standard item needed by adding the finish of the connector clamps: BL (blank) or SW (black).