

GN 131.1

Linear actuator connectors

126

Tube clamp connectors, Linear actuators

•Material

Aluminium.

•Slide bush

Polyamide.

•Finish

RAL 9005 black colour **SW**, matte finish, epoxy resin coating.

•Clamping screws

- Identification no. **1**: with two clamping screws DIN 912 and nuts DIN 985, zinc-plated.
- Identification no. **2**: with two AISI 304 stainless steel-clamping screws DIN 912 and nuts DIN 985.

•Assembly

The standard clamping bolts are socket cap screws DIN 912, supplied assembled. They can be replaced by clamping kits GN 911 (description see table of dimensions).

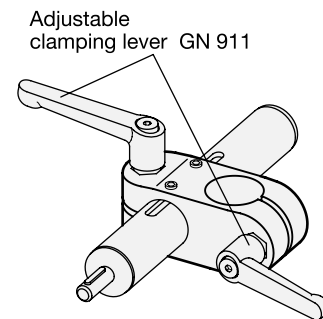
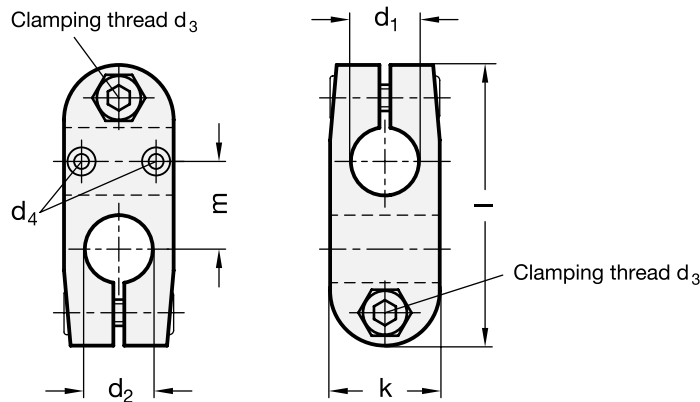
Features and applications

Linear actuator connectors GN 131.1 for single system are normally supplied only in connection with a **mounted** linear actuator and for function control.

By means of the clamping screw on the guide bores d_1/d_2 (mechanically machined) the movement can either be set or the slider can be clamped (after setting of final adjustment).

Accessories

- Construction tubings GN 990 (see page 109ff.).
- Linear actuators GN 291 (see page 119).
- Linear actuators GN 292 (see page 124).
- Clamping kits GN 911 (clamping handles GN 300.1 with distance bushing) see page 116.



Standard Elements	Main dimensions								Clamping kits for d_3	⚖ g
	d_1 without slider bush	d_1 with slider bush	d_2 without slider bush	d_3	d_4 Mounting screw on the follower	k Clamping length	l	m		
GN 131.1-B18-B18-1-SW	B18	-	B18	M6	M3	25	64	20	GN 911-M6-22	66
GN 131.1-G18-B18-1-SW	-	G18	B18	M6	M3	25	64	20	GN 911-M6-22	64
GN 131.1-B18-B18-2-SW	B18	-	B18	M6	M3	25	64	20	GN 911-M6-22	66
GN 131.1-G18-B18-2-SW	-	G18	B18	M6	M3	25	64	20	GN 911-M6-22	64