

# GN 145

## Flanged connector clamps

### •Material

Aluminium.

### •Finish

- Version **SW**: RAL 9005 black colour, matte finish, epoxy resin coating.
- Version **BL**: blank, matte shot-blasted.

### •Clamping screw

- Identification no. **1**: with clamping screw DIN 912 and nut DIN 985, zinc-plated.
- Identification no. **2**: with AISI 304 stainless steel-clamping screw DIN 912 and nut DIN 985.

### •Assembly

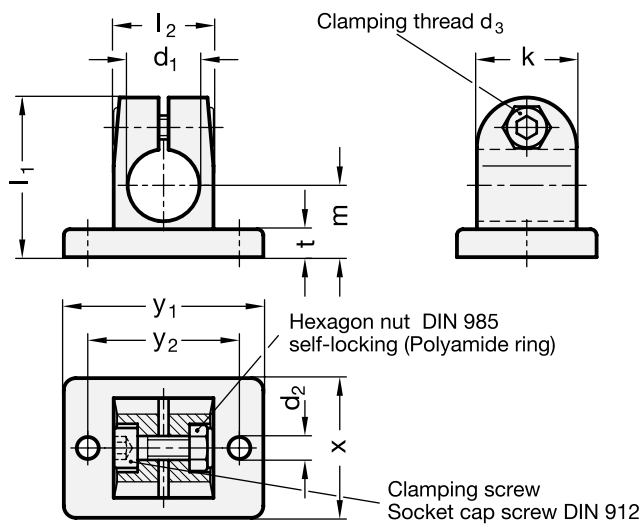
The standard clamping bolts are socket cap screws DIN 912, supplied assembled. They can be replaced by clamping kits GN 911 (description see table of dimensions). Flanged connector clamps GN 145 are also suitable for mounting on **profile systems**.

### Features and applications

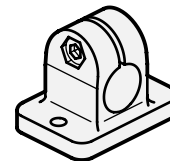
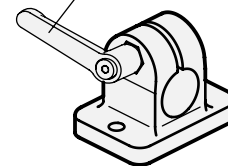
The clamping bores of the flanged connector clamps GN 145 are mechanically machined and designed for construction tubings GN 990 or DIN 2391, DIN 2395 and DIN 2462 respectively.

### Accessories

- Construction tubings GN 990 (see page 109ff.).
- Clamping kits GN 911 (clamping handles GN 300.1 with distance bushing see page 116).



Adjustable clamping lever GN 911



Standard Elements	Main dimensions											Clamping kits for d <sub>3</sub>	g
	d <sub>1</sub>	d <sub>2</sub>	d <sub>3</sub>	k	l <sub>1</sub>	l <sub>2</sub>	m	t	x	y <sub>1</sub>	y <sub>2</sub>		
GN 145-B10-1-*	B10	5.5	M6	25	40	25	18	7	35	50	38	GN 911-M6-22	71
GN 145-B12-1-*	B12	5.5	M6	25	40	25	18	7	35	50	38	GN 911-M6-22	69
GN 145-B14-1-*	B14	5.5	M6	25	40	25	18	7	35	50	38	GN 911-M6-22	67
GN 145-B15-1-*	B15	5.5	M6	25	40	25	18	7	35	50	38	GN 911-M6-22	65
GN 145-B16-1-*	B16	5.5	M6	25	40	25	18	7	35	50	38	GN 911-M6-22	64
GN 145-B18-1-*	B18	5.5	M6	25	40	25	18	7	35	50	38	GN 911-M6-22	60
GN 145-B10-2-*	B10	5.5	M6	25	40	25	18	7	35	50	38	GN 911-M6-22	71
GN 145-B12-2-*	B12	5.5	M6	25	40	25	18	7	35	50	38	GN 911-M6-22	69
GN 145-B14-2-*	B14	5.5	M6	25	40	25	18	7	35	50	38	GN 911-M6-22	67
GN 145-B15-2-*	B15	5.5	M6	25	40	25	18	7	35	50	38	GN 911-M6-22	67
GN 145-B16-2-*	B16	5.5	M6	25	40	25	18	7	35	50	38	GN 911-M6-22	64
GN 145-B18-2-*	B18	5.5	M6	25	40	25	18	7	35	50	38	GN 911-M6-22	60

\* Complete the description of the standard item needed by adding the finish of the connector clamps: BL (blank) or SW (black).

## Flanged connector clamps



**•Material**

AISI CF-8 stainless steel **NI**, matte polished.

**•Clamping screw**

Identification no. **2**: with AISI 304 stainless steel-clamping screw DIN 912 and nut DIN 985.

**•Assembly**

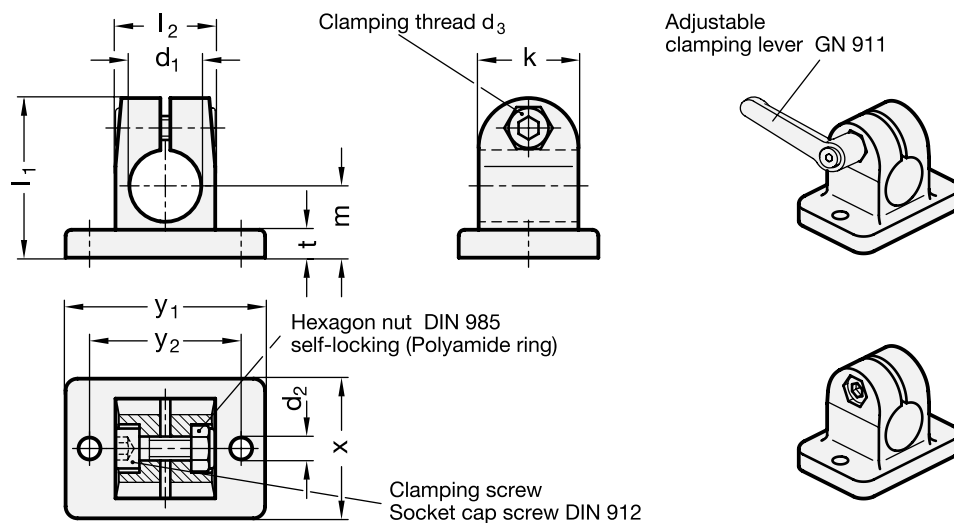
The standard clamping bolts are socket cap screws DIN 912, supplied assembled. They can be replaced by clamping kits GN 911 (description see table of dimensions).

**Features and applications**

The clamping bores of the flanged connector clamps GN 145-NI are mechanically machined and designed for construction tubings GN 990 or DIN 2391, DIN 2395 and DIN 2462 respectively.

**Accessories**

- Construction tubings GN 990 (see page 109ff.).
- Clamping kits GN 911 (clamping handles GN 300.1 with distance bushing) see page 116.



Standard Elements	Main dimensions											Clamping kits for $d_3$	$\Delta$ g
	$d_1$	$d_2$	$d_3$	$k$ Clamping length	$l_1$	$l_2$	$m$	$t$	$x$	$y_1$	$y_2$		
GN 145-B12-2-NI	B12	5.5	M6	25	40	25	18	7	35	50	38	GN 911-M6-22	177
GN 145-B14-2-NI	B14	5.5	M6	25	40	25	18	7	35	50	38	GN 911-M6-22	170
GN 145-B15-2-NI	B15	5.5	M6	25	40	25	18	7	35	50	38	GN 911-M6-22	170
GN 145-B16-2-NI	B16	5.5	M6	25	40	25	18	7	35	50	38	GN 911-M6-22	164
GN 145-B18-2-NI	B18	5.5	M6	25	40	25	18	7	35	50	38	GN 911-M6-22	159