

GN 132

Two-way connector clamps

•Material

Aluminium.

•Finish

- Version **SW**: RAL 9005 black colour, matte finish, epoxy resin coating.
- Version **BL**: blank, matte shot-blasted.

•Clamping screws

- Identification no. **1**: with two clamping screws DIN 912 and nuts DIN 985, zinc-plated.
- Identification no. **2**: with two AISI 304 stainless steel-clamping screws DIN 912 and nuts DIN 985.

•Assembly

The standard clamping bolts are socket cap screws DIN 912, supplied assembled. They can be replaced by clamping kits GN 911 (description see table of dimensions).

Features and applications

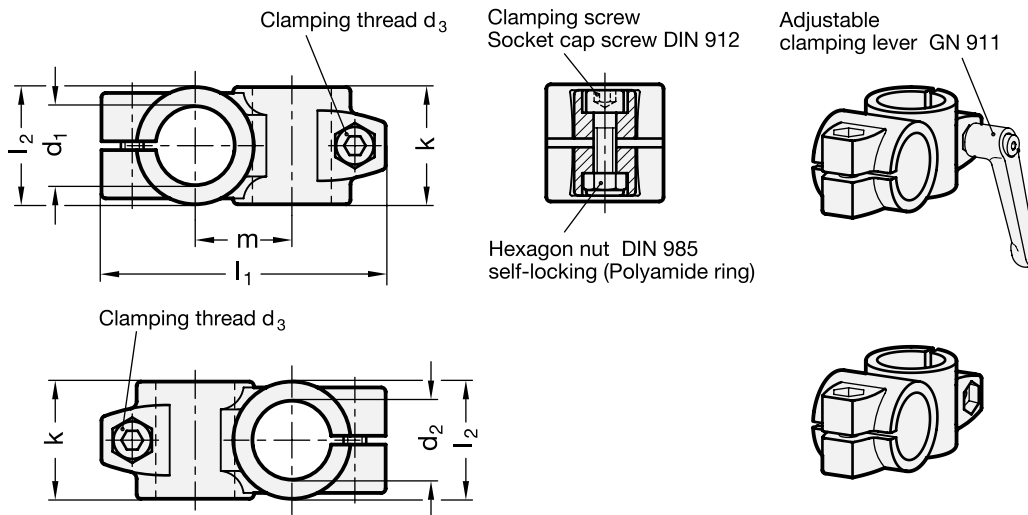
The clamping bores of the two-way connector clamps GN 132 are mechanically machined and designed for construction tubings GN 990 or DIN 2391, DIN 2395 and DIN 2462 respectively.

Accessories

- Construction tubings GN 990 (see page 109ff.)
- Clamping kits GN 911 (clamping handles GN 300.1 with distance bushing) see page 116.

Special designs on request (For sufficient quantities)

Different combinations of bores d_1/d_2 .



Standard Elements	Main dimensions							Clamping kits for d ₃	g
	d ₁	d ₂	k Clamping length	d ₃	l ₁	l ₂	m		
GN 132-B20-B20-40-1-*	B20	B20	40	M8	97	40	33	GN 911-M8-32	215
GN 132-B25-B25-40-1-*	B25	B25	40	M8	97	40	33	GN 911-M8-32	192
GN 132-B30-B30-40-1-*	B30	B30	40	M8	97	40	33	GN 911-M8-32	170
GN 132-B30-B30-56-1-*	B30	B30	56	M10	125	56	45	GN 911-M10-40	570
GN 132-B32-B32-56-1-*	B32	B32	56	M10	125	56	45	GN 911-M10-40	535
GN 132-B35-B35-56-1-*	B35	B35	56	M10	125	56	45	GN 911-M10-40	500
GN 132-B40-B40-56-1-*	B40	B40	56	M10	125	56	45	GN 911-M10-40	417
GN 132-B40-B40-65-1-*	B40	B40	65	M10	143	65	53	GN 911-M10-55	835
GN 132-B42-B42-65-1-*	B42	B42	65	M10	143	65	53	GN 911-M10-55	780
GN 132-B45-B45-65-1-*	B45	B45	65	M10	143	65	53	GN 911-M10-55	732
GN 132-B48-B48-65-1-*	B48	B48	65	M10	143	65	53	GN 911-M10-55	670
GN 132-B50-B50-65-1-*	B50	B50	65	M10	143	65	53	GN 911-M10-55	630
GN 132-B50-B50-80-1-*	B50	B50	80	M10	169	80	65	GN 911-M10-55	1460
GN 132-B55-B55-80-1-*	B55	B55	80	M10	169	80	65	GN 911-M10-55	1260
GN 132-B60-B60-80-1-*	B60	B60	80	M10	169	80	65	GN 911-M10-55	1060
GN 132-B20-B20-40-2-*	B20	B20	40	M8	97	40	33	GN 911-M8-32	215
GN 132-B25-B25-40-2-*	B25	B25	40	M8	97	40	33	GN 911-M8-32	192
GN 132-B30-B30-40-2-*	B30	B30	40	M8	97	40	33	GN 911-M8-32	170
GN 132-B30-B30-56-2-*	B30	B30	56	M10	125	56	45	GN 911-M10-40	570
GN 132-B32-B32-56-2-*	B32	B32	56	M10	125	56	45	GN 911-M10-40	535
GN 132-B35-B35-56-2-*	B35	B35	56	M10	125	56	45	GN 911-M10-40	500
GN 132-B40-B40-56-2-*	B40	B40	56	M10	125	56	45	GN 911-M10-40	417
GN 132-B40-B40-65-2-*	B40	B40	65	M10	143	65	53	GN 911-M10-55	835
GN 132-B42-B42-65-2-*	B42	B42	65	M10	143	65	53	GN 911-M10-55	780
GN 132-B45-B45-65-2-*	B45	B45	65	M10	143	65	53	GN 911-M10-55	732
GN 132-B48-B48-65-2-*	B48	B48	65	M10	143	65	53	GN 911-M10-55	670
GN 132-B50-B50-65-2-*	B50	B50	65	M10	143	65	53	GN 911-M10-55	630
GN 132-B50-B50-80-2-*	B50	B50	80	M10	169	80	65	GN 911-M10-55	1460
GN 132-B55-B55-80-2-*	B55	B55	80	M10	169	80	65	GN 911-M10-55	1260
GN 132-B60-B60-80-2-*	B60	B60	80	M10	169	80	65	GN 911-M10-55	1060

* Complete the description of the standard item needed by adding the finish of the connector clamps: BL (blank) or SW (black).