

GN 131

Two-way connector clamps

•Material

Aluminium.

•Finish

- Version **SW**: RAL 9005 black colour, matte finish, epoxy resin coating.
- Version **BL**: blank, matte shot-blasted.

•Clamping screws

- Identification no. **1**: with two clamping screws DIN 912 and nuts DIN 985, zinc-plated.
- Identification no. **2**: with two AISI 304 stainless steel-clamping screws DIN 912 and nuts DIN 985.

•Assembly

The standard clamping bolts are socket cap screws DIN 912, supplied assembled. They can be replaced by clamping kits GN 911 (description see table of dimensions).

Features and applications

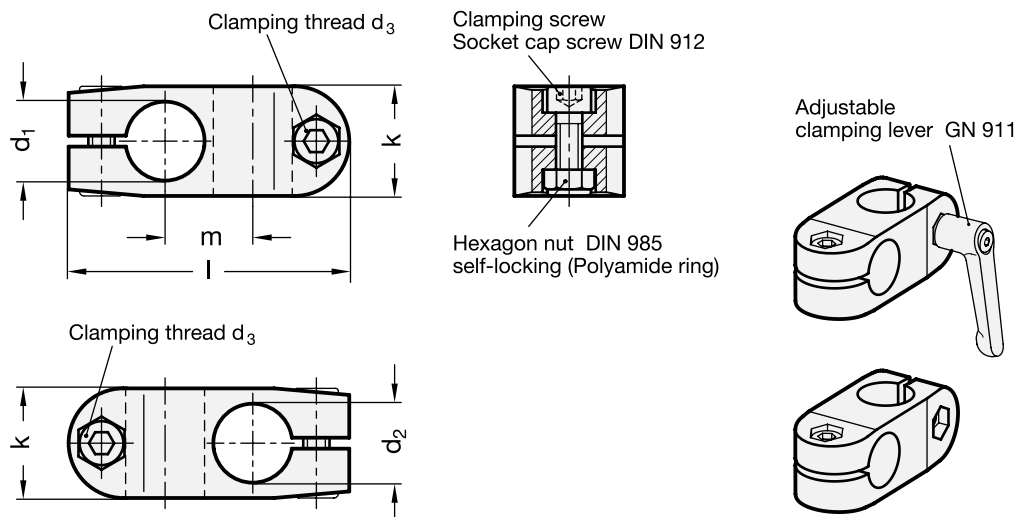
The clamping bores of the two-way connector clamps GN 131 are mechanically machined and designed for construction tubings GN 990 or DIN 2391, DIN 2395 and DIN 2462 respectively.

Accessories

- Construction tubings GN 990 (see page 109ff.).
- Clamping kits GN 911 (clamping handles GN 300.1 with distance bushing see page 116).

Special designs on request (For sufficient quantities)

Different combinations of bores d_1/d_2 .



Standard Elements	Main dimensions						Clamping kits for d_3	g
	d_1	d_2	k Clamping length	d_3	l	m		
GN 131-B10-B10-1-*	B10	B10	25	M6	64	20	GN 911-M6-22	85
GN 131-B12-B12-1-*	B12	B12	25	M6	64	20	GN 911-M6-22	80
GN 131-B14-B14-1-*	B14	B14	25	M6	64	20	GN 911-M6-22	79
GN 131-B15-B15-1-*	B15	B15	25	M6	64	20	GN 911-M6-22	76
GN 131-B16-B16-1-*	B16	B16	25	M6	64	20	GN 911-M6-22	70
GN 131-B18-B18-1-*	B18	B18	25	M6	64	20	GN 911-M6-22	68
GN 131-B10-B10-2-*	B10	B10	25	M6	64	20	GN 911-M6-22	85
GN 131-B12-B12-2-*	B12	B12	25	M6	64	20	GN 911-M6-22	80
GN 131-B14-B14-2-*	B14	B14	25	M6	64	20	GN 911-M6-22	79
GN 131-B15-B15-2-*	B15	B15	25	M6	64	20	GN 911-M6-22	76
GN 131-B16-B16-2-*	B16	B16	25	M6	64	20	GN 911-M6-22	70
GN 131-B18-B18-2-*	B18	B18	25	M6	64	20	GN 911-M6-22	68

* Complete the description of the standard item needed by adding the finish of the connector clamps: BL (blank) or SW (black).

Two-way connector clamps



•Material

AISI CF-8 stainless steel **NI**, matte polished.

•Clamping screws

Identification no. **2**: with two AISI 304 stainless steel-clamping screws DIN 912 and nuts DIN 985.

•Assembly

The standard clamping bolts are socket cap screws DIN 912, supplied assembled. They can be replaced by clamping kits GN 911 (description see table of dimensions).

Features and applications

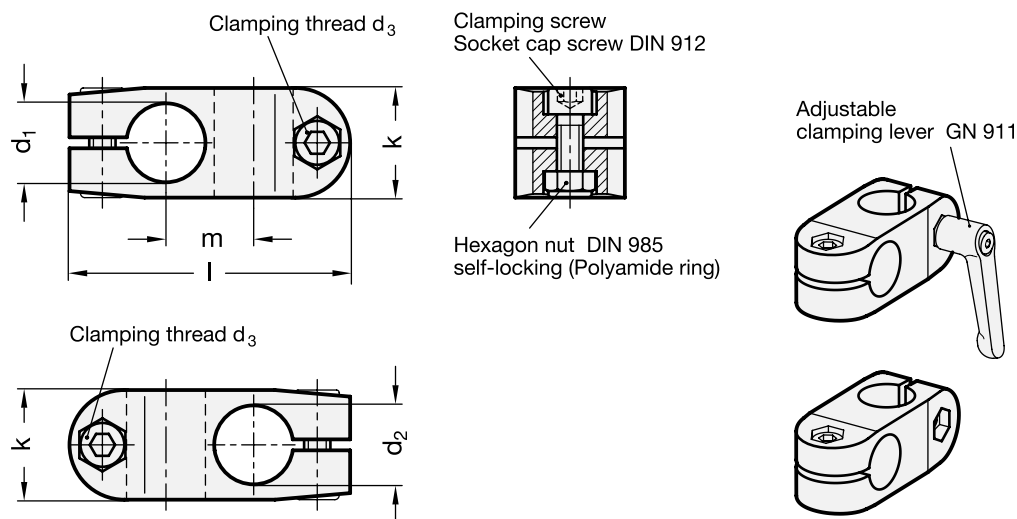
The clamping bores of the two-way connector clamps GN 131-NI are machined and designed for construction tubings GN 990 or DIN 2391, DIN 2395 and DIN 2462 respectively.

Accessories

- Construction tubings GN 990 (see page 109ff.).
- Clamping kits GN 911 (clamping handles GN 300.1 with distance bushing) see page 116.

Special designs on request (For sufficient quantities)

Different combinations of bores d_1/d_2 .



Standard Elements	Main dimensions						Clamping kits for d_3	△ g
Description	d_1	d_2	k Clamping length	d_3	l	m		
GN 131-B12-B12-2-NI	B12	B12	25	M6	64	20	GN 911-M6-22	203
GN 131-B14-B14-2-NI	B14	B14	25	M6	64	20	GN 911-M6-22	190
GN 131-B16-B16-2-NI	B16	B16	25	M6	64	20	GN 911-M6-22	170
GN 131-B18-B18-2-NI	B18	B18	25	M6	64	20	GN 911-M6-22	148
GN 131-B20-B20-2-NI	B20	B20	25	M6	64	20	GN 911-M6-22	144