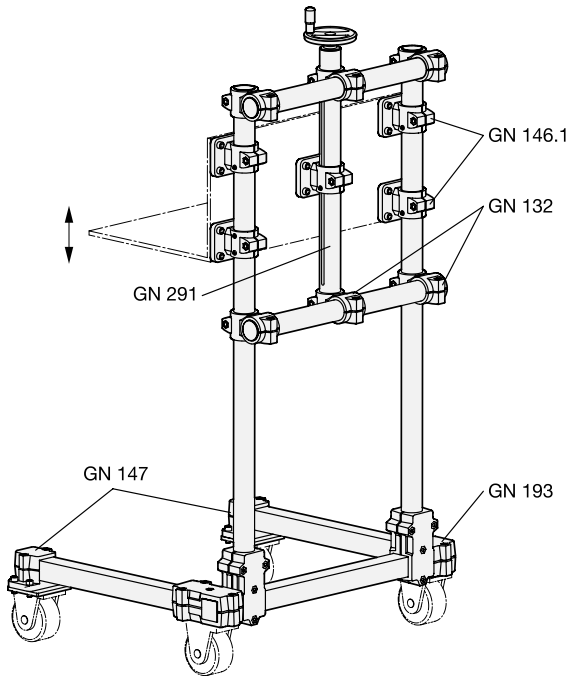
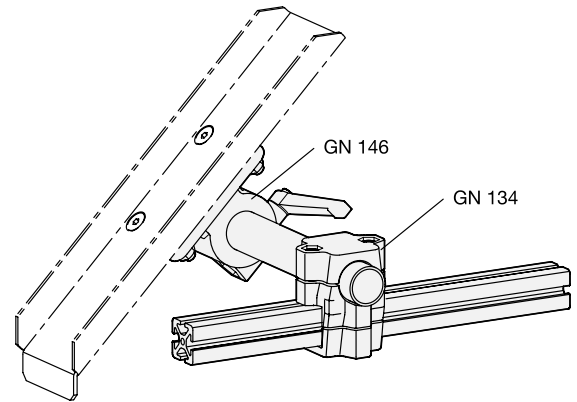


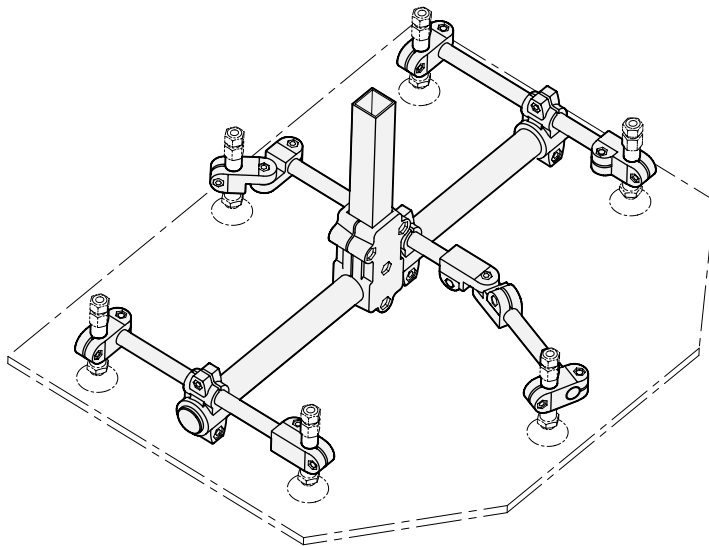
# Installation examples of tube clamp connectors



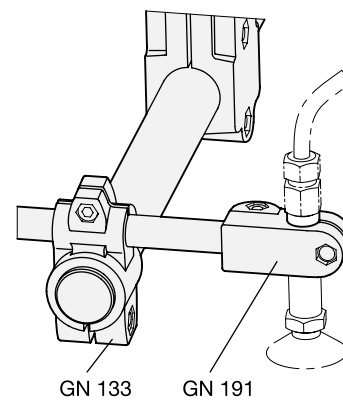
Mobile lifting table



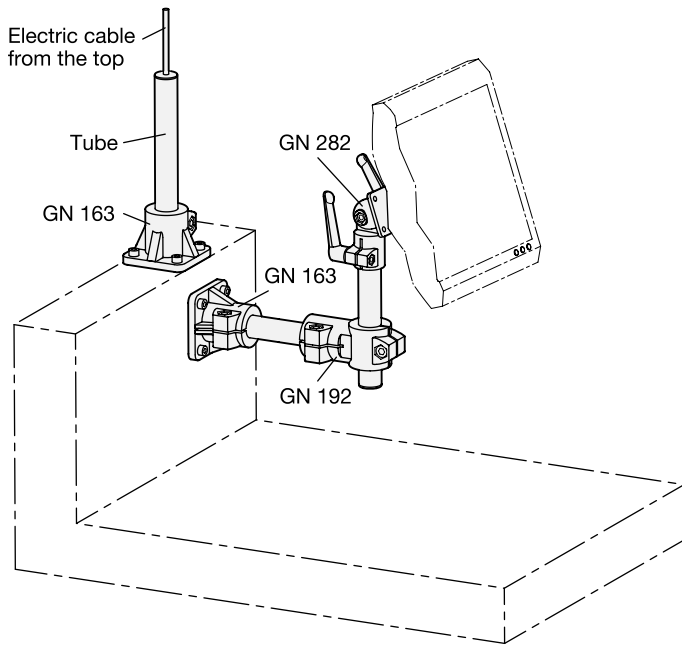
Workpiece chute  
Transfer to aluminium profile section system



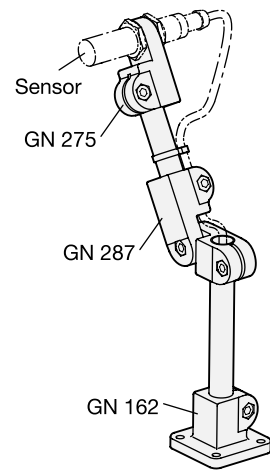
Vacuum gripper



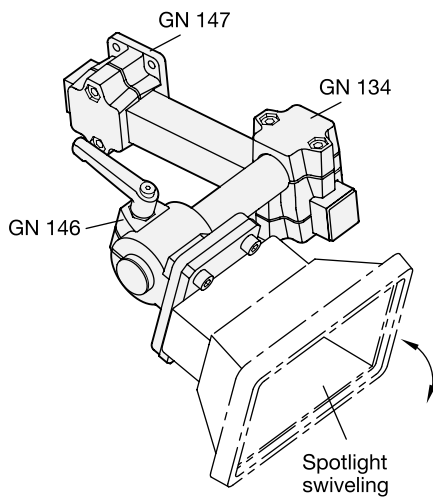
# Installation examples of tube clamp connectors



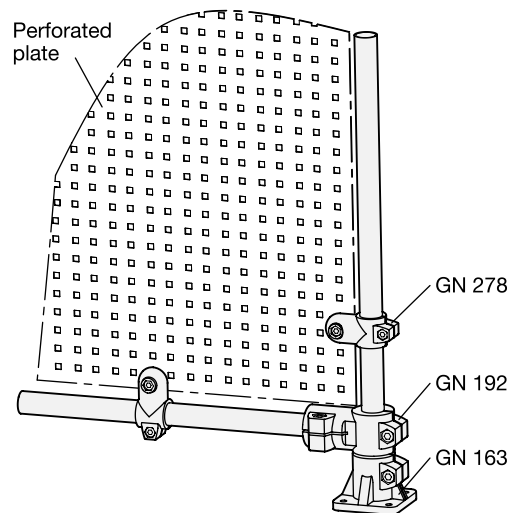
Assembly desk with screen holder



Sensor holder



Holder for spotlight



Safety fence