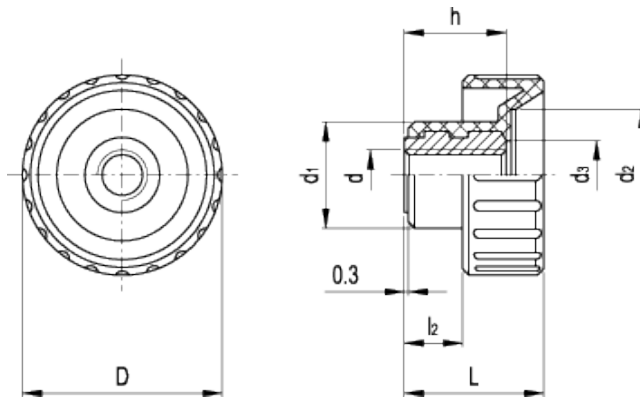


# BT.FP

Fluted grip knobs



ELESA Original design



## technical informations

### Material

Polyamide based (PA) technopolymer. Resistant to solvents, oils, greases and other chemical agents.

### Colour

Black, matte finish.

### Assembly

Brass boss, tapped through hole.

Standard Elements		Main dimensions						Mounting hole		Weight
Code	Description	D	L	d <sub>1</sub>	d <sub>2</sub>	d <sub>3</sub>	l <sub>2</sub>	d <sub>6H</sub>	h	g
6331	BT.16 FP-M4	16	13	11	9	5	5	M4	10	4
6336	BT.16 FP-M5	16	13	11	9	6	5	M5	10	5
6531	BT.20 FP-M6	20	16	11.5	11	7	6	M6	12	7
6631	BT.25 FP-M6	25	19	16	15	7	8	M6	14	9

6636	BT.25 FP-M8	25	19	16	15	9	8	M8	14	11
6730	BT.32 FP-M6	32	22	17	21	7	9	M6	16	18
6731	BT.32 FP-M8	32	22	17	21	10	9	M8	16	15
6732	BT.32 FP-M10	32	22	17	21	11	9	M10	16	13
6803	BT.40 FP-M10	40	27	19	25	14	13	M10	20	25
6850	BT.50 FP-M10	50	28.5	22	31	14	13.5	M10	20	32

---



ELESA and GANTER models all rights reserved in accordance with the law. Always mention the source when reproducing our drawings.

**STANDARD MACHINE ELEMENTS WORLDWIDE**