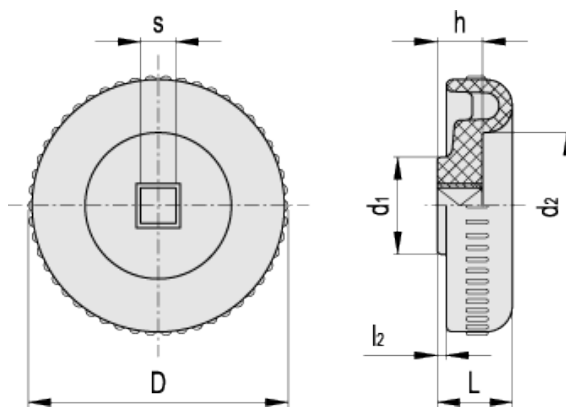


VZ.

Knurled knobs with square hole



| Elesa Standards | | Main dimensions | | | | | Mounting hole | | Weight |
|-----------------|-------------|-----------------|----|----------------|----------------|----------------|-----------------|---|--------|
| Code | Description | D | L | d ₁ | d ₂ | l ₂ | s _{H9} | h | g |
| 87001 | VZ.42-5x5 | 44 | 10 | 20 | 31 | 1 | 5x5 | 7 | 13 |
| 87011 | VZ.42-6x6 | 44 | 10 | 20 | 31 | 1 | 6x6 | 7 | 14 |
| 87111 | VZ.56-7x7 | 58 | 17 | 22 | 23 | 2 | 7x7 | 9 | 27 |
| 87121 | VZ.56-8x8 | 58 | 17 | 22 | 23 | 2 | 8x8 | 9 | 28 |

Material
Phenolic based (PF) Duroplast. Resistant to solvents, oils, greases and other chemical agents.

Colour
Black, glossy finish.

Assembly
Square through hole with brass reinforcement.



STANDARD MACHINE ELEMENTS WORLDWIDE

ELESA models all rights reserved in accordance with the law. Always mention the source when reproducing our drawings.