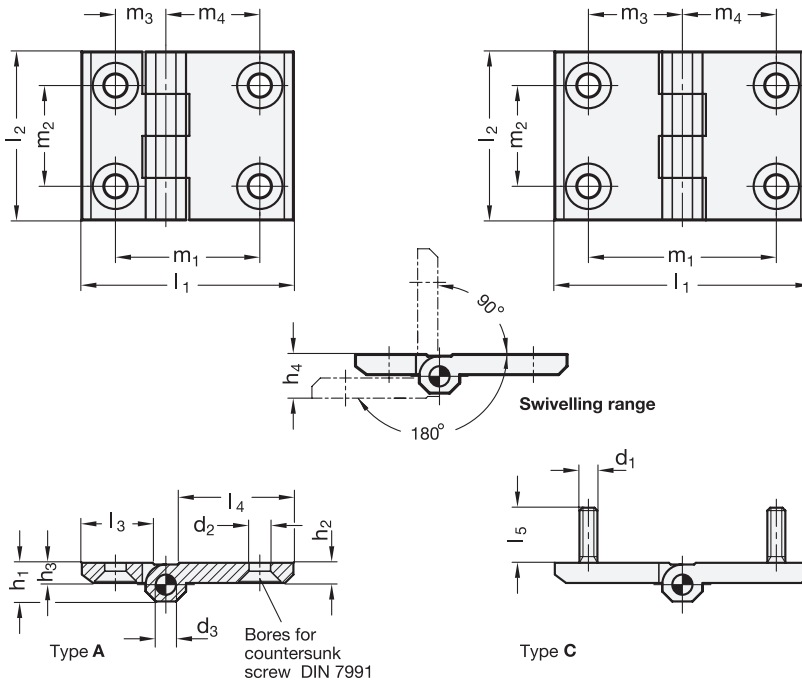


GN 237

Zinc die casting / Stainless Steel

Hinges

with extended hinge wings



ROSLANDTALER
**Rost
frei** Inox
Stainless
Steel

4 Form

- A 2x2 bores for countersunk screws
- C 2x2 threaded studs

1		3															
l_1	extended on one side / extended on both side	l_2	d_1	d_2	d_3	h_1	h_2	h_3	$h_4 + 0,5$	l_3	l_4	l_5	m_1	m_2	m_3	m_4	
63	-	50	M 6	6,3	6	11,5	6	6,5	13	21	34	12	43	30	15	28	
-	76	50	M 6	6,3	6	11,5	6	6,5	13	34	34	12	56	30	28	28	
90	-	60	M 8	8,4	8	15	8	8,5	17	26	56	14	63	36	18	45	
-	120	60	M 8	8,4	8	15	8	8,5	17	56	56	14	90	36	45	45	

Specification

- Zinc die casting **ZD**
 - plastic coated black, RAL 9005, textured finish ● **SW**
 - silver, RAL 9006, textured finish ● **SR**
- Stainless Steel (only type A) **NI**
 - AISI CF-8
 - matt shot blasted **GS**
- Pin
 - Stainless Steel 303 (A2) for ZD
 - Stainless Steel 316Ti (A4) for NI
- Threaded stud (type C) Stainless Steel AISI 316
- *Stainless Steel characteristics* → Page XYZ
- *Details for the load of the metal hinges* → Page XYZ
- **RoHS compliant**

Information

Hinges GN 237 with extended hinge wings are made in a compact and sturdy design. They are used when larger spacings are required for the attachment bore holes.

see also...

- *Hinges GN 237* → Page XYZ

How to order

1	Material
2	l_1
3	l_2
4	Type
5	Finish

1 2 3 4 5
GN237-ZD-76-50-A-SR