

# GN 920.2

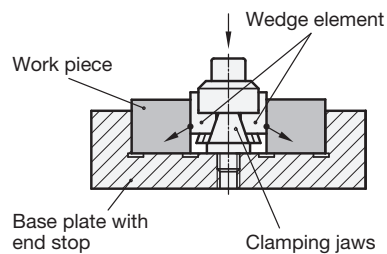
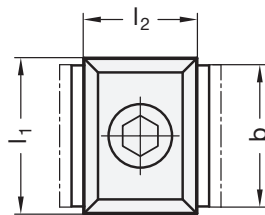
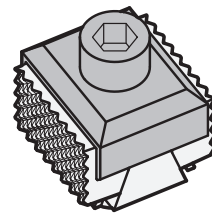
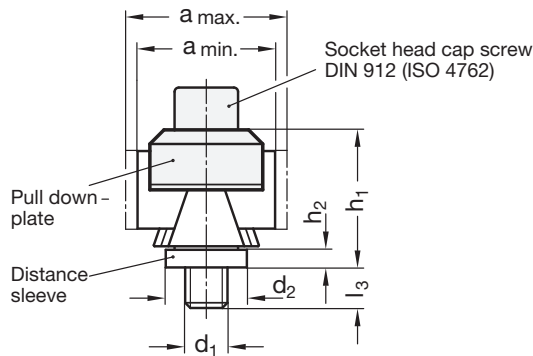
## Pull-down plates



- **Material**  
Black-oxide steel.
- **Wedge block**  
Blank steel.
- **Socket head cap screw DIN 912 (ISO 4762)**  
Steel, class 12.9 (tensile strength 1200 N/mm<sup>2</sup>)
- **T-nuts**  
Black-oxide tempered steel.

### Features and applications

The pull-down plates GN 920.2 allow wedge clamps GN 920.1 to clamp easily with pull-down effect.  
The socket head cap screw DIN 912 and the distance sleeve are included in the order.



Standard Elements	Main dimensions												for wedge clamps GN 920.1 with		△△
	l <sub>1</sub>	l <sub>2</sub>	d <sub>1</sub>	b	a max. Type GA Type GL	a max. Type PR Type RF	a min. Type GA Type GL	a min. Type PR Type RF	d <sub>2</sub> ∅	h <sub>1</sub> ≈	h <sub>2</sub>	l <sub>3</sub> max.	d	b	
GN 920.2-25-32-M8	25	32	M8	21	44.5	39.5	39.5	34.5	18	27.5	4	7.5	M8	21	60
GN 920.2-29-32-M8	29	32	M8	25	44.5	39.5	39.5	34.5	18	27.5	4	7.5	M8	25	77
GN 920.2-36-32-M8	36	32	M8	32	44.5	39.5	39.5	34.5	18	27.5	4	7.5	M8	32	84
GN 920.2-44-32-M8	44	32	M8	40	44.5	39.5	39.5	34.5	18	27.5	4	7.5	M8	40	92
GN 920.2-44-32-M12	44	32	M12	40	45.5	45.5	40	40	23	38	5	11.5	M12	40	156
GN 920.2-54-32-M8	54	32	M8	50	44.5	39.5	39.5	34.5	18	27.5	4	7.5	M8	50	90
GN 920.2-54-32-M12	54	32	M12	60	45.5	45.5	40	40	23	38	5	11.5	M12	50	170