

# VCRT.

ELESA Original design

## Lobe knobs with square hole



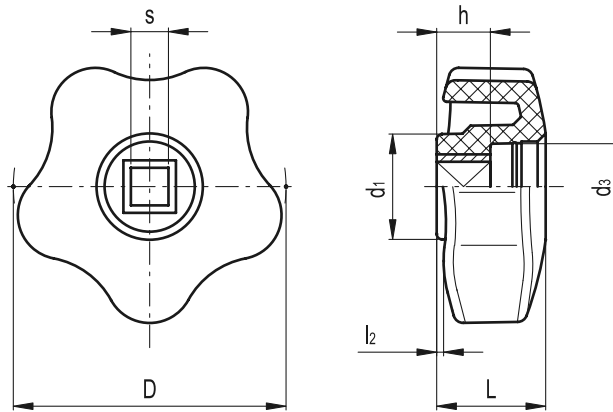
- **Material**  
Glass reinforced polyamide based (PA) technopolymer. Resistant to solvents, oils, greases and other chemical agents.
- **Colour**  
Black, matte finish.
- **Assembly**  
Square through hole with brass reinforcement. On request and for sufficient quantities, it can be supplied with square through hole without brass reinforcement.

### Accessories on request

Coloured centre caps (see centre caps table), which allow an easier identification of the different functions.

### Ergonomy and design

The particular design of this knob follows rigorous ergonomic standards: five-lobe shape, blended radius, well proportioned rim height guarantee a natural, safe and comfortable grip, allowing the operator to obtain a strong clamping action.



- RAL 9005
- RAL 3000
- RAL 2004
- RAL 7035
- RAL 1021
- RAL 5024

CENTRE CAPS					
VCRT.40		VCRT.50		VCRT.63 - VCRT.74 - VCRT.95	
Code	Description	Code	Description	Code	Description
6910	CA.VCT.40 NR	6920	CA.VCT.50 NR	6930	CA.VCT.63-74-95 NR
6911	CA.VCT.40 RS	6921	CA.VCT.50 RS	6931	CA.VCT.63-74-95 RS
6913	CA.VCT.40 AR	6923	CA.VCT.50 AR	6933	CA.VCT.63-74-95 AR
6914	CA.VCT.40 GR	6924	CA.VCT.50 GR	6934	CA.VCT.63-74-95 GR
6915	CA.VCT.40 GI	6925	CA.VCT.50 GI	6935	CA.VCT.63-74-95 GI
6916	CA.VCT.40 AZ	6926	CA.VCT.50 AZ	6936	CA.VCT.63-74-95 AZ

Standard Elements		Main dimensions					Mounting hole		⚖
Code	Description	D	L	d1	d3	l2	s H9	h	g
169001	VCRT.40 N-6x6	40	17	17	12.5	1	6x6	10	10
169101	VCRT.50 N-6x6	50	20	19	15.5	1.2	6x6	10	23
169111	VCRT.50 N-7x7	50	20	19	15.5	1.2	7x7	10	22
169201	VCRT.63 N-6x6	63	21.5	22.5	19.5	1.3	6x6	10	36
169211	VCRT.63 N-7x7	63	21.5	22.5	19.5	1.3	7x7	10	35
169221	VCRT.63 N-8x8	63	21.5	22.5	19.5	1.3	8x8	10	34
169311	VCRT.74 N-7x7	74	24.5	26.5	19.5	2	7x7	14	51
169321	VCRT.74 N-8x8	74	24.5	26.5	19.5	2	8x8	14	50
169331	VCRT.74 N-9x9	74	24.5	26.5	19.5	2	9x9	14	49
169341	VCRT.74 N-10x10	74	24.5	26.5	19.5	2	10x10	14	48
169421	VCRT.95 N-8x8	95	29.5	32	18	4.5	8x8	14	64
169441	VCRT.95 N-10x10	95	29.5	32	18	4.5	10x10	14	63



**eleSA-GANTER**

ELESA and GANTER models all rights reserved in accordance with the law. Always mention the source when reproducing our drawings.