

Clamping levers with eccentric cam



- **Lever body**
AISI CF-8 stainless steel.
- **Rotation pin**
AISI 303 stainless steel.
- **Tapped bushing**
AISI 303 stainless steel.
- **Contact plate**
 - Type **A**: glass-fibre reinforced acetal resin based (POM) technopolymer with adjustable contact plate.
 - Type **B**: glass-fibre reinforced (PPS) technopolymer with non-adjustable contact plate.
- **Knurled base**
AISI 303 stainless steel.
- **Clamping element**
AISI 303 stainless steel with tapped hole.

Features and applications

Clamping levers with eccentric cam GN 927.5 are used for rapid clamping and releasing operations. Hereby, contrary to a clamping operation via a thread, these levers permit a torque-free clamping.

The lever has been designed to ensure that its movement cannot exceed the max. clamping position.

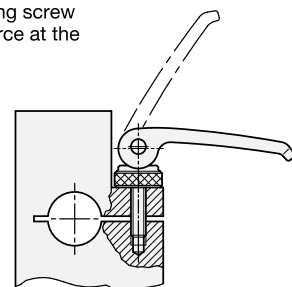
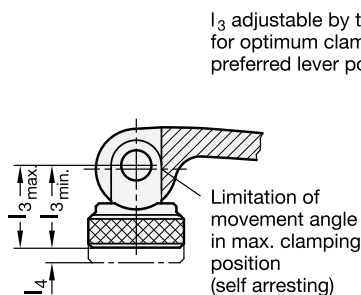
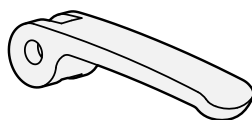
There are no loose components since they are all assembled and mounted in their correct order.

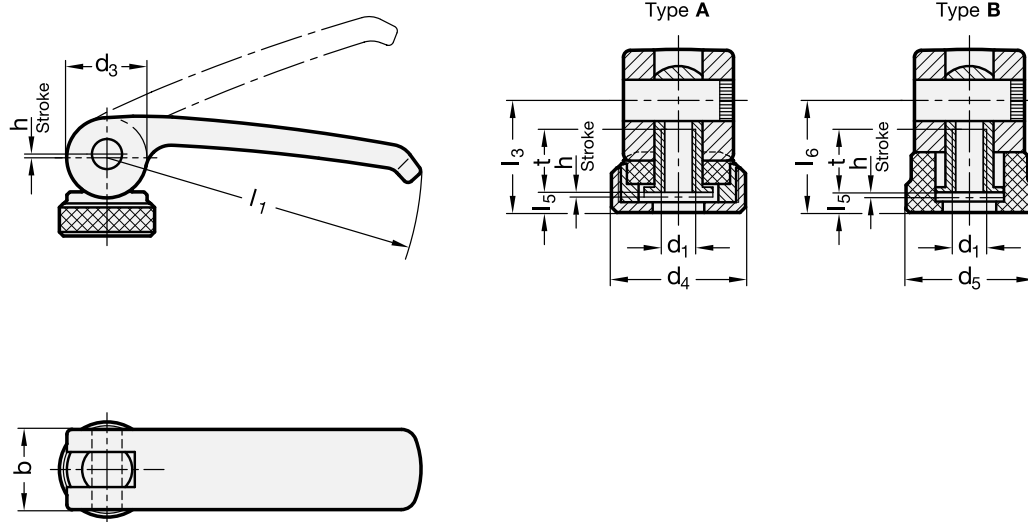
The salient points of type A are as follows:

The distance between the eccentric cam and the contact surface is adjustable by means of a fine threaded knurled nut. This allows the max. clamping force to be set by a simple adjustment. In addition this also allows the choice of the preferred lever position in relation to the clamping lever pin.

With these clamping levers with eccentric cam, thrusts of up to 8kN can be reached.

Constructional features (Type A) / Application example





Standard Elements	Main dimensions											Mounting hole		Δ
Description	l ₁	b	d ₃	d ₄	d ₅	h	l ₃ min.	l ₃ max.	l ₄	l ₅	l ₆	d ₁	t	g
GN 927.5-63-M5-A	63	16	16	19	-	0.75	16.3	18.8	2.5	3	-	M5	10	57
GN 927.5-63-M5-B	63	16	16	-	18.5	0.75	-	-	2.5	3	16.3	M5	10	57
GN 927.5-63-M6-A	63	16	16	19	-	0.75	16.3	18.8	2.5	3	-	M6	10	58
GN 927.5-63-M6-B	63	16	16	-	18.5	0.75	-	-	2.5	3	16.3	M6	10	60
GN 927.5-82-M6-A	82	20	20	25	-	1	19.5	22.5	3	3.7	-	M6	12	60
GN 927.5-82-M6-B	82	20	20	-	22.5	1	-	-	3	3.7	19.5	M6	12	60
GN 927.5-82-M8-A	82	20	20	25	-	1	19.5	22.5	3	3.7	-	M8	12	100
GN 927.5-82-M8-B	82	20	20	-	22.5	1	-	-	3	3.7	19.5	M8	12	98
GN 927.5-101-M8-A	101	25	26	30	-	1.5	25.3	29.3	4	4.8	-	M8	15	216
GN 927.5-101-M8-B	101	25	26	-	27	1.5	-	-	4	4.8	25.3	M8	15	200
GN 927.5-101-M10-A	101	25	26	30	-	1.5	25.3	29.3	4	4.8	-	M10	15	211
GN 927.5-101-M10-B	101	25	26	-	27	1.5	-	-	4	4.8	25.3	M10	15	200