

Clamping levers with eccentric cam



- **Lever body**
AISI CF-8 stainless steel.
- **Rotation pin**
AISI 303 stainless steel.
- **Tapped bushing**
AISI 303 stainless steel.
- **Contact plate**
 - Type **A**: glass-fibre reinforced acetal resin based (POM) technopolymer with adjustable contact plate.
 - Type **B**: glass-fibre reinforced (PPS) technopolymer with non-adjustable contact plate.
- **Knurled base**
AISI 303 stainless steel.
- **Clamping element**
AISI 303 stainless steel with threaded stud.

Features and applications

Clamping levers with eccentric cam GN 927.5 are used for rapid clamping and releasing operations. Hereby, contrary to a clamping operation via a thread, these levers permit a torque-free clamping.

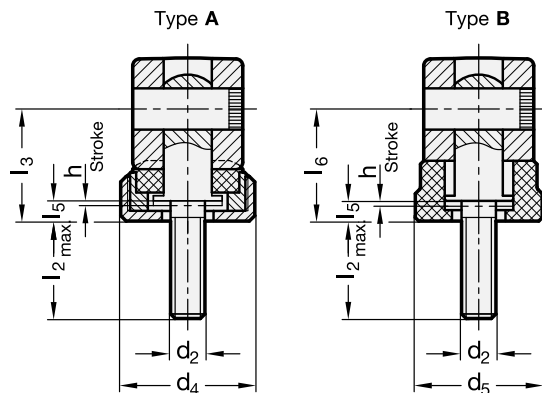
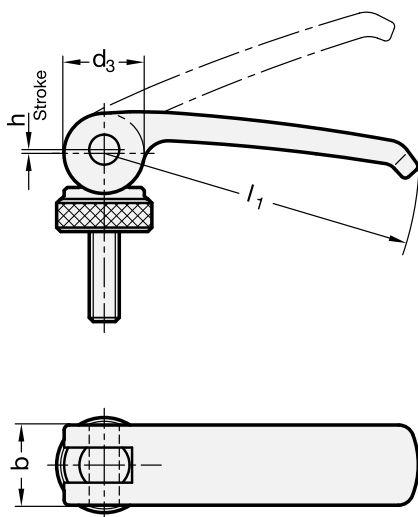
The lever has been designed to ensure that its movement cannot exceed the max. clamping position.

There are no loose components since they are all assembled and mounted in their correct order.

The salient points of type A are as follows:

The distance between the eccentric cam and the contact surface is adjustable by means of a fine threaded knurled nut. This allows the max. clamping force to be set by a simple adjustment. In addition this also allows the choice of the preferred lever position in relation to the clamping lever pin.

With these clamping levers with eccentric cam, thrusts of up to 8k N can be reached.



Standard Elements	Main dimensions												Thread		\triangle
Description	l ₁	b	d ₃	d ₄	d ₅	h	l _{3 min.}	l _{3 max.}	l ₄	l ₅	l ₆	t	d ₁	l ₂	g
GN 927.5-63-M5-16-*	63	16	16	19	18.5	0.75	16.3	18.8	2.5	3	16.3	10	M5	16	50
GN 927.5-63-M5-20-*	63	16	16	19	18.5	0.75	16.3	18.8	2.5	3	16.3	10	M5	20	55
GN 927.5-63-M5-25-*	63	16	16	19	18.5	0.75	16.3	18.8	2.5	3	16.3	10	M5	25	56
GN 927.5-63-M5-35-*	63	16	16	19	18.5	0.75	16.3	18.8	2.5	3	16.3	10	M5	35	62
GN 927.5-63-M5-40-*	63	16	16	19	18.5	0.75	16.3	18.8	2.5	3	16.3	10	M5	40	63
GN 927.5-63-M5-50-*	63	16	16	19	18.5	0.75	16.3	18.8	2.5	3	16.3	10	M5	50	65
GN 927.5-63-M6-16-*	63	16	16	19	18.5	0.75	16.3	18.8	2.5	3	16.3	10	M6	16	62
GN 927.5-63-M6-20-*	63	16	16	19	18.5	0.75	16.3	18.8	2.5	3	16.3	10	M6	20	62
GN 927.5-63-M6-25-*	63	16	16	19	18.5	0.75	16.3	18.8	2.5	3	16.3	10	M6	25	63
GN 927.5-63-M6-30-*	63	16	16	19	18.5	0.75	16.3	18.8	2.5	3	16.3	10	M6	30	63
GN 927.5-63-M6-35-*	63	16	16	19	18.5	0.75	16.3	18.8	2.5	3	16.3	10	M6	35	64
GN 927.5-63-M6-40-*	63	16	16	19	18.5	0.75	16.3	18.8	2.5	3	16.3	10	M6	40	65
GN 927.5-63-M6-50-*	63	16	16	19	18.5	0.75	16.3	18.8	2.5	3	16.3	10	M6	50	68
GN 927.5-82-M6-20-*	82	20	20	25	22.5	1	19.5	22.5	3	3.7	19.5	12	M6	20	120
GN 927.5-82-M6-25-*	82	20	20	25	22.5	1	19.5	22.5	3	3.7	19.5	12	M6	25	120
GN 927.5-82-M6-30-*	82	20	20	25	22.5	1	19.5	22.5	3	3.7	19.5	12	M6	30	120
GN 927.5-82-M6-35-*	82	20	20	25	22.5	1	19.5	22.5	3	3.7	19.5	12	M6	35	120
GN 927.5-82-M6-40-*	82	20	20	25	22.5	1	19.5	22.5	3	3.7	19.5	12	M6	40	120
GN 927.5-82-M6-50-*	82	20	20	25	22.5	1	19.5	22.5	3	3.7	19.5	12	M6	50	122
GN 927.5-82-M6-60-*	82	20	20	25	22.5	1	19.5	22.5	3	3.7	19.5	12	M6	60	122
GN 927.5-82-M8-20-*	82	20	20	25	22.5	1	19.5	22.5	3	3.7	19.5	12	M8	20	121
GN 927.5-82-M8-25-*	82	20	20	25	22.5	1	19.5	22.5	3	3.7	19.5	12	M8	25	122
GN 927.5-82-M8-30-*	82	20	20	25	22.5	1	19.5	22.5	3	3.7	19.5	12	M8	30	127
GN 927.5-82-M8-35-*	82	20	20	25	22.5	1	19.5	22.5	3	3.7	19.5	12	M8	35	125
GN 927.5-82-M8-40-*	82	20	20	25	22.5	1	19.5	22.5	3	3.7	19.5	12	M8	40	129
GN 927.5-82-M8-50-*	82	20	20	25	22.5	1	19.5	22.5	3	3.7	19.5	12	M8	50	130
GN 927.5-82-M8-60-*	82	20	20	25	22.5	1	19.5	22.5	3	3.7	19.5	12	M8	60	132
GN 927.5-101-M8-20-*	101	25	26	30	27	1.5	25.3	29.3	4	4.8	25.3	15	M8	20	224
GN 927.5-101-M8-25-*	101	25	26	30	27	1.5	25.3	29.3	4	4.8	25.3	15	M8	25	227
GN 927.5-101-M8-30-*	101	25	26	30	27	1.5	25.3	29.3	4	4.8	25.3	15	M8	30	227
GN 927.5-101-M8-35-*	101	25	26	30	27	1.5	25.3	29.3	4	4.8	25.3	15	M8	35	228
GN 927.5-101-M8-40-*	101	25	26	30	27	1.5	25.3	29.3	4	4.8	25.3	15	M8	40	232
GN 927.5-101-M8-50-*	101	25	26	30	27	1.5	25.3	29.3	4	4.8	25.3	15	M8	50	235
GN 927.5-101-M8-60-*	101	25	26	30	27	1.5	25.3	29.3	4	4.8	25.3	15	M8	60	232
GN 927.5-101-M10-20-*	101	25	26	30	27	1.5	25.3	29.3	4	4.8	25.3	15	M10	20	229
GN 927.5-101-M10-25-*	101	25	26	30	27	1.5	25.3	29.3	4	4.8	25.3	15	M10	25	230
GN 927.5-101-M10-30-*	101	25	26	30	27	1.5	25.3	29.3	4	4.8	25.3	15	M10	30	234
GN 927.5-101-M10-35-*	101	25	26	30	27	1.5	25.3	29.3	4	4.8	25.3	15	M10	35	237
GN 927.5-101-M10-40-*	101	25	26	30	27	1.5	25.3	29.3	4	4.8	25.3	15	M10	40	240
GN 927.5-101-M10-50-*	101	25	26	30	27	1.5	25.3	29.3	4	4.8	25.3	15	M10	50	260
GN 927.5-101-M10-60-*	101	25	26	30	27	1.5	25.3	29.3	4	4.8	25.3	15	M10	60	265

* Complete the description of the standard item needed by adding the index of the contact plate: A (with adjustable contact plate) or B (with non-adjustable contact plate).