

# GN 753

## Guide rollers



### Outer ring

Acetal resin based (POM) technopolymer. Resistant to solvents, oils, greases and other chemical agents. Working temperature 0 °C to 40 °C.

- Type **ZL**: cylindrical.
- Type **KV**: convex.
- Type **KK**: concave.
- Type **KF**: wedge-shaped.
- Type **KR**: circular (O-ring).

### Inner ring / balls

Steel, blank.

### Threaded stud

Steel, zinc plated.

### O-ring

Rubber, NBR (Perbunan), 70 Shore A.

### Assembly

- Identification no. **1**: with bore.
- Identification no. **2**: with threaded stud.



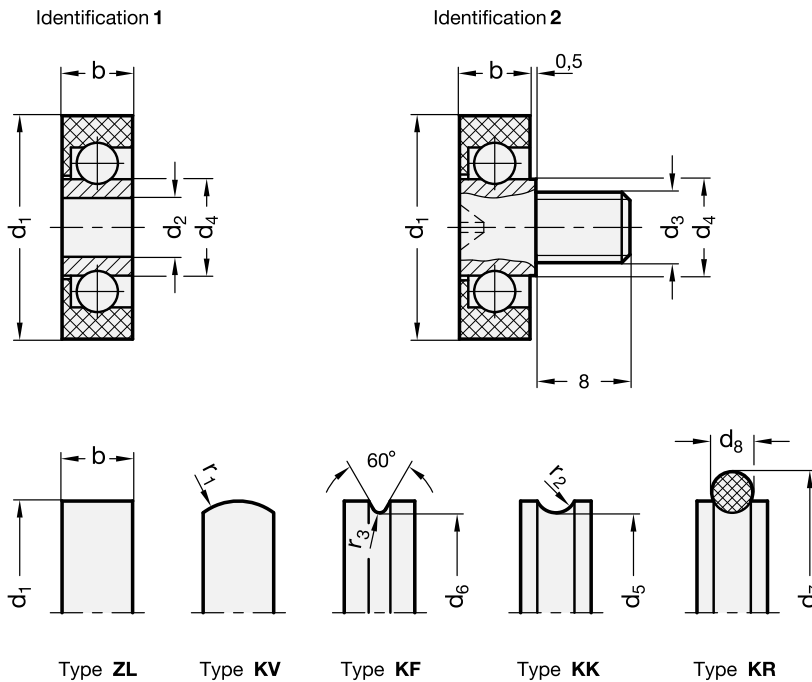
### Special executions on request

Guide rollers with rivet spigot.

### Features and applications

Guide rollers GN 753 are suitable for moving or guiding smaller loads. They are also used in drive engineering.

With the radial load bearing capacity given in the table, the guide rollers reach a minimum run time of 1 million revolutions. In general, the guide rollers should not be used under axial load.



Standard Elements	Main dimensions												Radial load bearing capacity in N at max. 300 rpm	g
	Description	d1	d2 Bore	d3 Thread	d4	d5	d6	d7	d8	b	r1	r2		
GN 753-19-B5-ZL-1	19	B5	-	8.2	-	-	-	-	6	-	-	-	49	3
GN 753-19-B6-ZL-1	19	B6	-	8.2	-	-	-	-	6	-	-	-	49	6
GN 753-22-B6-ZL-1	22	B6	-	9.5	-	-	-	-	7	-	-	-	196	6
GN 753-22-B8-ZL-1	22	B8	-	11	-	-	-	-	7	-	-	-	196	5
GN 753-26-B6-ZL-1	26	B6	-	9.5	-	-	-	-	7	-	-	-	196	7
GN 753-26-B10-ZL-1	26	B10	-	13	-	-	-	-	8	-	-	-	196	8
GN 753-19-B5-KV-1	19	B5	-	8.2	-	-	-	-	6	5	-	-	49	3
GN 753-22-B6-KV-1	22	B6	-	9.5	-	-	-	-	7	5	-	-	196	5
GN 753-26-B6-KV-1	26	B6	-	9.5	-	-	-	-	7	5	-	-	196	7
GN 753-19-B5-KK-1	19	B5	-	8.2	17	-	-	-	6	-	1.75	-	39	3
GN 753-22-B6-KK-1	22	B6	-	9.5	19.2	-	-	-	7	-	2.5	-	156	5
GN 753-26-B6-KK-1	26	B6	-	9.5	23.2	-	-	-	7	-	2.5	-	156	7
GN 753-19-B5-KF-1	19	B5	-	8.2	-	17	-	-	6	-	-	0.6	39	3
GN 753-22-B6-KF-1	22	B6	-	9.5	-	19	-	-	7	-	-	0.6	156	5
GN 753-26-B6-KF-1	26	B6	-	9.5	-	19	-	-	7	-	-	0.6	156	7
GN 753-19-B5-KR-1	19	B5	-	8.2	17	-	24	3.5	6	-	1.75	-	39	3
GN 753-22-B6-KR-1	22	B6	-	9.5	19.2	-	29	5	6	-	2.5	-	156	5
GN 753-26-B6-KR-1	26	B6	-	9.5	23.2	-	33	5	6	-	2.5	-	156	7
GN 753-19-M6-ZL-2	19	-	M6	8.2	-	-	-	-	6	-	-	-	49	6
GN 753-22-M6-ZL-2	22	-	M6	9.5	-	-	-	-	7	-	-	-	196	9
GN 753-26-M6-ZL-2	26	-	M6	9.5	-	-	-	-	7	-	-	-	196	10
GN 753-19-M6-KV-2	19	-	M6	8.2	-	-	-	-	6	5	-	-	49	6
GN 753-22-M6-KV-2	22	-	M6	9.5	-	-	-	-	7	5	-	-	196	8
GN 753-26-M6-KV-2	26	-	M6	9.5	-	-	-	-	7	5	-	-	196	10
GN 753-19-M6-KK-2	19	-	M6	8.2	17	-	-	-	6	-	1.75	-	39	6
GN 753-22-M6-KK-2	22	-	M6	9.5	19.2	-	-	-	7	-	2.5	-	156	8
GN 753-26-M6-KK-2	26	-	M6	9.5	23.2	-	-	-	7	-	2.5	-	156	9
GN 753-19-M6-KF-2	19	-	M6	8.2	-	17	-	-	6	-	-	0.6	39	6
GN 753-22-M6-KF-2	22	-	M6	9.5	-	19	-	-	7	-	-	0.6	156	8
GN 753-26-M6-KF-2	26	-	M6	9.5	-	23	-	-	7	-	-	0.6	156	10
GN 753-19-M6-KR-2	19	-	M6	8.2	17	-	24	3.5	6	-	1.75	-	39	6
GN 753-22-M6-KR-2	22	-	M6	9.5	19.2	-	29	5	7	-	2.5	-	156	8
GN 753-26-M6-KR-2	26	-	M6	9.5	23.2	-	33	5	6	-	2.5	-	156	10