

GN 723.3

Reference flanges

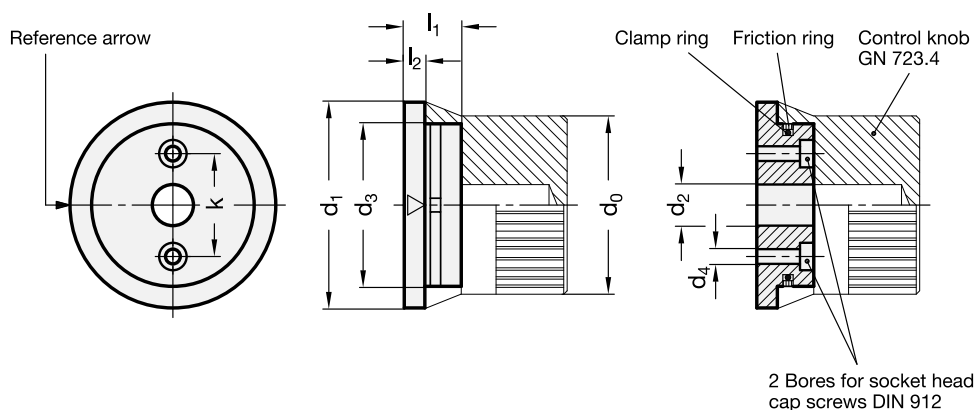
RoHS

- **Material**
Aluminium, anodised black.
- **Reference arrow**
White, engraved with laser precision.
- **Standard versions available**
 - Version **A**: with friction ring.
 - Version **B**: without friction ring.
- **Clamp ring**
NBR synthetic rubber.
- **Friction ring**
Polyamide based (PA) technopolymer.

Features and applications

Reference flanges GN 723.3 are used together with control knobs GN 723.4 which offer the following advantages:

- they have a reference mark to line up with the control knob scale,
- they offer additional support for the control shaft,
- they can be fitted with end stop pins to limit the angular movement of the control knob (the introduction of rest positions with the aid of ball plungers is also possible),
- the version with friction ring prevents an unexpected movement of the control knob by vibration.



Standard Elements	Main dimensions								\triangle
Description	d0 Knob-Ø of GN 723.4	d1	d2 H8	d3	d4	k	l1	l2	g
GN 723.3-33.5-B6-A	27	33.5	B6	23	3.2	13	11.2	4	16
GN 723.3-33.5-B6-B	27	33.5	B6	23	3.2	13	11.2	4	15
GN 723.3-41-B6-A	34	41	B6	29	3.2	18	14.2	5	31
GN 723.3-41-B6-B	34	41	B6	29	3.2	18	14.2	5	31
GN 723.3-41-B8-A	34	41	B8	29	3.2	18	14.2	5	31
GN 723.3-41-B8-B	34	41	B8	29	3.2	18	14.2	5	31
GN 723.3-50-B8-A	42	50	B8	37	4.3	24	16.2	5	55
GN 723.3-50-B8-B	42	50	B8	37	4.3	24	16.2	5	55
GN 723.3-50-B10-A	42	50	B10	37	4.3	24	16.2	5	51
GN 723.3-50-B10-B	42	50	B10	37	4.3	24	16.2	5	51