

Split set collars

RoHS

• Material

AISI 316 LHC stainless steel **NI**.

• Clamping assembly system

AISI 304 stainless steel grub screws, cylindrical head with hexagon socket, supplied assembled.

For diameters d_1 = from 20 to 36, d_3 is a through hole; starting from d_1 = 42, d_3 is a threaded blind hole.

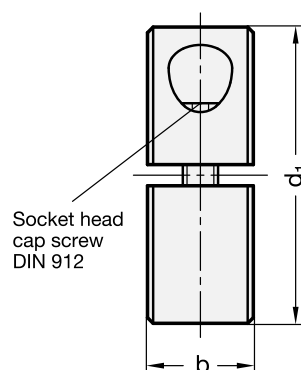
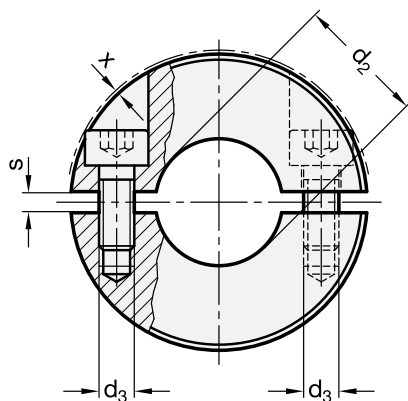
Features and applications

Split set collars GN 707.2-NI are used when the latter cannot be slipped over a shaft.

These set collars not only serve as an end stop, but they can also be used for fixing or triggering other components such as end limit switches.

Technical data

Shaft tolerance = h11.



Standard Elements	Main dimensions						Δ/\triangle
Description	d_1	d_2 H10	$b \pm 0.2$	d_3	s	$x \approx$	g
GN 707.2-20-B6-NI	20	B6	9	M3	2.1	1	20
GN 707.2-22-B8-NI	22	B8	9	M3	2.1	0.8	20
GN 707.2-26-B10-NI	26	B10	11	M4	2.1	1.6	60
GN 707.2-30-B12-NI	30	B12	11	M4	2.1	0.7	40
GN 707.2-32-B14-NI	32	B14	11	M4	2.1	0.7	40
GN 707.2-36-B15-NI	36	B15	13	M5	2.1	1.4	65
GN 707.2-36-B16-NI	36	B16	13	M5	2.1	1.4	60
GN 707.2-42-B18-NI	42	B18	15	M5	3	0.6	104
GN 707.2-42-B20-NI	42	B20	15	M5	3	0.6	98
GN 707.2-48-B22-NI	48	B22	15	M5	3	0	135
GN 707.2-48-B25-NI	48	B25	15	M5	3	0	122
GN 707.2-55-B28-NI	55	B28	15	M6	3	0.4	165
GN 707.2-55-B30-NI	55	B30	15	M6	3	0.4	156
GN 707.2-60-B32-NI	60	B32	15	M6	4	0.4	187
GN 707.2-60-B35-NI	60	B35	15	M6	4	0.4	174
GN 707.2-65-B40-NI	65	B40	15	M6	4	0.5	189