

## Threaded set collars

RoHS

- Material**

AISI 316 LHC stainless sintered steel **NI**.

- Socket head cap screw**

AISI 304 stainless steel.

- Clamping assembly systems**

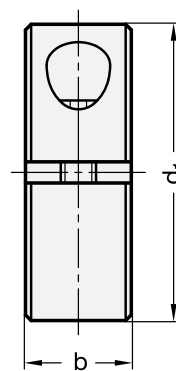
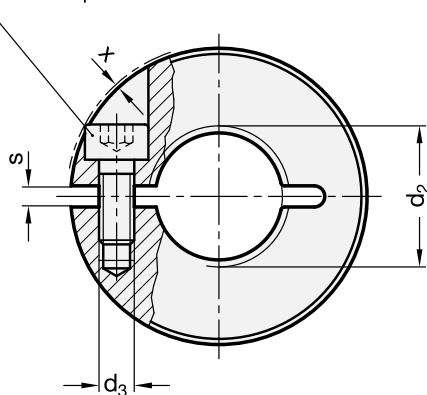
For size  $d_1 = 20$  to  $36$   $d_3$  is a through hole; starting from  $d_1 = 42$   $d_3$  is a threaded blind bore.

### Features and applications

Threaded set collars GN 706.3-NI can be used in connection with bolt thread tolerance 6g. After clamping, the thread of the semi-split set collar may no longer be tolerance-stable (6H).



Socket head cap screw DIN 912



Standard Elements	Main dimensions						$\Delta\Delta$
Description	$d_1$	$d_2$	b	$d_3$	s	$x \approx$	g
GN 706.3-20-M8-NI	20	M8	9	M3	2.1	1	20
GN 706.3-22-M10-NI	22	M10	9	M3	2.1	0.8	25
GN 706.3-26-M12-NI	26	M12	11	M4	2.1	1.6	30
GN 706.3-32-M16-NI	32	M16	11	M4	2.1	0.7	42
GN 706.3-42-M20-NI	42	M20	15	M5	3	0.6	100
GN 706.3-20-M8x1-NI	20	M8x1	9	M3	2.1	1	20
GN 706.3-22-M10x1-NI	22	M10x1	9	M3	2.1	0.8	27
GN 706.3-26-M12x1.5-NI	26	M12x1.5	11	M4	2.1	1.6	40
GN 706.3-32-M16x1.5-NI	32	M16x1.5	11	M4	2.1	0.7	43
GN 706.3-42-M20x1.5-NI	42	M20x1.5	15	M5	3	0.6	100
GN 706.3-48-M24x1.5-NI	48	M24x1.5	15	M5	3	0	134
GN 706.3-55-M30x1.5-NI	55	M30x1.5	15	M6	3	0.4	165