

GN 638-ST

EXTENDED RANGE

Ball jointed levelling elements



• Thrust pads

Acetal based (POM) technopolymer, black colour, matte finish, temperature resistant up to 80° C.

• Threaded stud

Black-oxide steel **ST** (tensile strength 500 N/mm²).

Features and applications

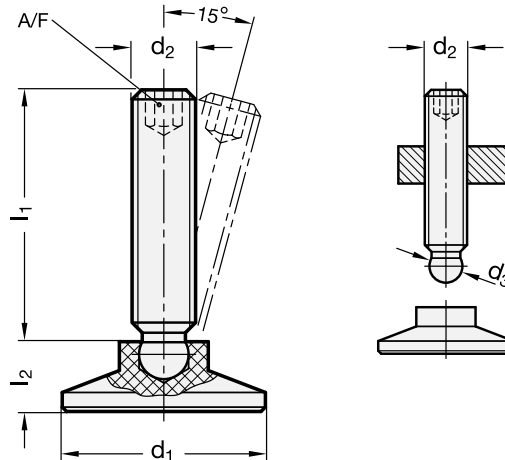
Ball jointed levelling elements GN 638 can be used for clamping operations or for load bearing purposes.

Another good feature is a smaller size ball diameter than the trunk of the threaded stud.

As a result the studs can be screwed into position from the ball side. The ball end can easily be hammered in and also dismantled.

Details regarding the static load capacity have been established by a series of tests but are indicative only. For these tests the loads have been placed vertically and centrally over the stud. At the measured load of 3.5 kN there was no remaining deformation visible on the levelling pad nor was there any breakage.

A combination of ball jointed levelling elements GN 638 with any handle component will give useful clamping alternatives.




11

492

Levelling elements

Standard Elements Description	Main dimensions			Threaded stem		Wrench A/F	Static load in kN	△△ g
	d1	l2	d3 ≈	d2	l1			
GN 638-15-M6-26-ST	15	7.6	4.5	M6	26	3	3.5	6
GN 638-15-M6-36-ST	15	7.6	4.5	M6	36	3	3.5	9
GN 638-15-M6-46-ST	15	7.6	4.5	M6	46	3	3.5	11
GN 638-15-M8-20-ST	15	7.6	6.1	M8	20	4	3.5	10
GN 638-15-M8-35-ST	15	7.6	6.1	M8	35	4	3.5	13
GN 638-15-M8-45-ST	15	7.6	6.1	M8	45	4	3.5	16
GN 638-15-M8-58-ST	15	7.6	6.1	M8	58	4	3.5	20
GN 638-18-M6-26-ST	18	9.2	4.5	M6	26	3	3.5	7
GN 638-18-M6-36-ST	18	9.2	4.5	M6	36	3	3.5	11
GN 638-18-M6-46-ST	18	9.2	4.5	M6	46	3	3.5	15
GN 638-18-M8-20-ST	18	9.2	6.1	M8	20	4	3.5	11
GN 638-18-M8-35-ST	18	9.2	6.1	M8	35	4	3.5	14
GN 638-18-M8-45-ST	18	9.2	6.1	M8	45	4	3.5	17
GN 638-18-M8-58-ST	18	9.2	6.1	M8	58	4	3.5	21
GN 638-18-M10-34-ST	18	9.2	7.8	M10	34	5	3.5	18
GN 638-18-M10-44-ST	18	9.2	7.8	M10	44	5	3.5	24
GN 638-18-M10-57-ST	18	9.2	7.8	M10	57	5	3.5	31
GN 638-18-M10-74-ST	18	9.2	7.8	M10	74	5	3.5	39
GN 638-21-M6-26-ST	21	10	4.5	M6	26	3	3.5	8
GN 638-21-M6-36-ST	21	10	4.5	M6	36	3	3.5	11
GN 638-21-M6-46-ST	21	10	4.5	M6	46	3	3.5	15
GN 638-21-M8-20-ST	21	10	6.1	M8	20	4	3.5	8
GN 638-21-M8-35-ST	21	10	6.1	M8	35	4	3.5	13
GN 638-21-M8-45-ST	21	10	6.1	M8	45	4	3.5	16
GN 638-21-M8-58-ST	21	10	6.1	M8	58	4	3.5	21

Standard Elements	Main dimensions			Threaded stem		Wrench	Static load in kN	
Description	d ₁	l ₂	d ₃ ≈	d ₂	l ₁	A/F		g
GN 638-21-M10-34-ST	21	10	7.8	M10	34	5	3.5	19
GN 638-21-M10-44-ST	21	10	7.8	M10	44	5	3.5	25
GN 638-21-M10-57-ST	21	10	7.8	M10	57	5	3.5	32
GN 638-21-M10-74-ST	21	10	7.8	M10	74	5	3.5	40
GN 638-21-M12-34-ST	21	10	9.4	M12	34	6	3.5	23
GN 638-21-M12-57-ST	21	10	9.4	M12	57	6	3.5	44
GN 638-21-M12-74-ST	21	10	9.4	M12	74	6	3.5	56
GN 638-21-M12-94-ST	21	10	9.4	M12	94	6	3.5	71
GN 638-25-M6-26-ST	25	10.5	4.5	M6	26	3	3.5	10
GN 638-25-M6-36-ST	25	10.5	4.5	M6	36	3	3.5	12
GN 638-25-M6-46-ST	25	10.5	4.5	M6	46	3	3.5	15
GN 638-25-M8-20-ST	25	10.5	6.1	M8	20	4	3.5	8
GN 638-25-M8-35-ST	25	10.5	6.1	M8	35	4	3.5	14
GN 638-25-M8-45-ST	25	10.5	6.1	M8	45	4	3.5	19
GN 638-25-M8-58-ST	25	10.5	6.1	M8	58	4	3.5	20
GN 638-25-M10-34-ST	25	10.5	7.8	M10	34	5	3.5	21
GN 638-25-M10-44-ST	25	10.5	7.8	M10	44	5	3.5	27
GN 638-25-M10-57-ST	25	10.5	7.8	M10	57	5	3.5	34
GN 638-25-M10-74-ST	25	10.5	7.8	M10	74	5	3.5	42
GN 638-25-M12-34-ST	25	10.5	9.4	M12	34	6	3.5	25
GN 638-25-M12-57-ST	25	10.5	9.4	M12	57	6	3.5	46
GN 638-25-M12-74-ST	25	10.5	9.4	M12	74	6	3.5	58
GN 638-25-M12-94-ST	25	10.5	9.4	M12	94	6	3.5	73
GN 638-32-M6-26-ST	32	11	4.5	M6	26	3	3.5	11
GN 638-32-M6-36-ST	32	11	4.5	M6	36	3	3.5	13
GN 638-32-M6-46-ST	32	11	4.5	M6	46	3	3.5	15
GN 638-32-M8-20-ST	32	11	6.1	M8	20	4	3.5	11
GN 638-32-M8-35-ST	32	11	6.1	M8	35	4	3.5	15
GN 638-32-M8-45-ST	32	11	6.1	M8	45	4	3.5	19
GN 638-32-M8-58-ST	32	11	6.1	M8	58	4	3.5	23
GN 638-32-M10-34-ST	32	11	7.8	M10	34	5	3.5	20
GN 638-32-M10-44-ST	32	11	7.8	M10	44	5	3.5	23
GN 638-32-M10-57-ST	32	11	7.8	M10	57	5	3.5	32
GN 638-32-M10-74-ST	32	11	7.8	M10	74	5	3.5	40
GN 638-32-M12-34-ST	32	11	9.4	M12	34	6	3.5	40
GN 638-32-M12-57-ST	32	11	9.4	M12	57	6	3.5	50
GN 638-32-M12-74-ST	32	11	9.4	M12	74	6	3.5	60
GN 638-32-M12-94-ST	32	11	9.4	M12	94	6	3.5	70
GN 638-40-M8-20-ST	40	13	6.1	M8	20	4	3.5	15
GN 638-40-M8-35-ST	40	13	6.1	M8	35	4	3.5	20
GN 638-40-M8-45-ST	40	13	6.1	M8	45	4	3.5	23
GN 638-40-M8-58-ST	40	13	6.1	M8	58	4	3.5	25
GN 638-40-M10-34-ST	40	13	7.8	M10	34	5	3.5	27
GN 638-40-M10-44-ST	40	13	7.8	M10	44	5	3.5	32
GN 638-40-M10-57-ST	40	13	7.8	M10	57	5	3.5	38
GN 638-40-M10-74-ST	40	13	7.8	M10	74	5	3.5	46
GN 638-40-M12-34-ST	40	13	9.4	M12	34	6	3.5	40
GN 638-40-M12-57-ST	40	13	9.4	M12	57	6	3.5	50
GN 638-40-M12-74-ST	40	13	9.4	M12	74	6	3.5	60
GN 638-40-M12-94-ST	40	13	9.4	M12	94	6	3.5	80