

Thrust pads

RoHS

- **Material**

AISI 303 stainless steel.

- **O-Ring**

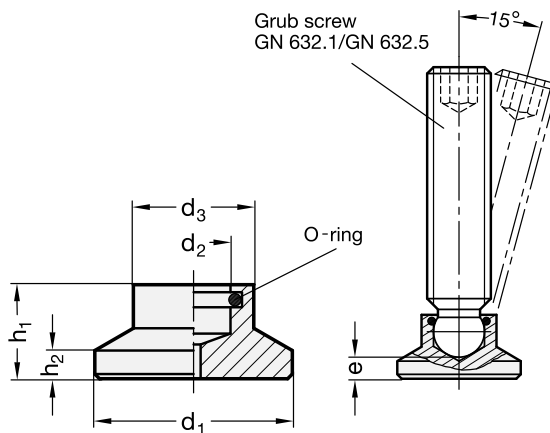
Rubber (Viton®) FPM, temperature resistant up to 200° C.

Features and applications

Thrust pads GN 631.5 with ball point grub screw GN 632.1 (see page 416)/ GN 632.5 (see page 417) are ideal to transmit clamping forces. They lean to uneven and unparallel surfaces. They are easy to press-on to the ball point of the grub screw by hand.



Mounting example



Standard Elements	Main dimensions						Grub screws GN 632.1/GN 632.5	△△ g
	d ₁	d ₂	d ₃	e ≈	h ₁	h ₂		
GN 631.5-21-4.5	21	4.5	12.8	6	10	3	M6	16
GN 631.5-21-6.1	21	6.1	12.8	5	10	3	M8	16
GN 631.5-21-7.8	21	7.8	12.8	4.3	10	3	M10	14
GN 631.5-21-9.4	21	9.4	12.8	3.4	10	3	M12	13
GN 631.5-25-4.5	25	4.5	13	6.5	10.5	3	M6	22
GN 631.5-25-6.1	25	6.1	13	5.5	10.5	3	M8	20
GN 631.5-25-7.8	25	7.8	13	4.6	10.5	3	M10	20
GN 631.5-25-9.4	25	9.4	13	3.6	10.5	3	M12	39
GN 631.5-32-4.5	32	4.5	14	7	11	3	M6	34
GN 631.5-32-6.1	32	6.1	14	6	11	3	M8	35
GN 631.5-32-7.8	32	7.8	14	5	11	3	M10	33
GN 631.5-32-9.4	32	9.4	14	4.2	11	3	M12	50
GN 631.5-40-6.1	40	6.1	16	8	13	4	M8	67
GN 631.5-40-7.8	40	7.8	16	7	13	4	M10	60
GN 631.5-40-9.4	40	9.4	16	6.2	13	4	M12	65