

GN 631

Thrust pads



Material

Acetal resin based (POM) technopolymer. Resistant to solvents, oils, greases and other chemical agents.

Colour

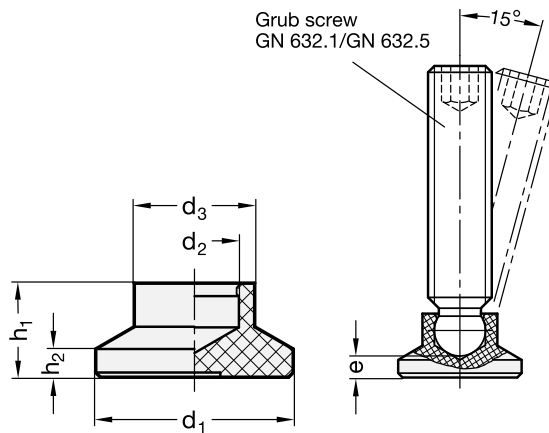
Black, matte finish.

Features and applications

GN 631 thrust pads are used to transmit clamping forces by means of grub screws type GN 632.1 (see page 416) and GN 632.5 (see page 417). They can be adapted on irregular or non-parallel surfaces and prevent the rotating movement of the screw from being exerted directly on the piece to be locked. With the technopolymer thrust pads locking operations can be realised without scratching the surface of the item to be locked.



Mounting example



Standard Elements Description	Main dimensions						Grub screws GN 632.1/GN 632.5	△△ g
	d ₁	d ₂	d ₃	e ≈	h ₁	h ₂		
GN 631-15-4.5	15	4.5	8.6	3.6	7.6	2.5	M6	1
GN 631-15-6.1	15	6.1	8.6	2.5	7.6	2.5	M8	1
GN 631-18-4.5	18	4.5	10.8	5.2	9.2	2.5	M6	2
GN 631-18-6.1	18	6.1	10.8	4.2	9.2	2.5	M8	2
GN 631-18-7.8	18	7.8	10.8	3.8	9.2	2.5	M10	2
GN 631-21-4.5	21	4.5	12.8	6	10	3	M6	3
GN 631-21-6.1	21	6.1	12.8	5	10	3	M8	3
GN 631-21-7.8	21	7.8	12.8	4.3	10	3	M10	3
GN 631-21-9.4	21	9.4	12.8	3.4	10	3	M12	3
GN 631-25-4.5	25	4.5	13	6.5	10.5	3	M6	3
GN 631-25-6.1	25	6.1	13	5.5	10.5	3	M8	3
GN 631-25-7.8	25	7.8	13	4.6	10.5	3	M10	5
GN 631-25-9.4	25	9.4	13	3.6	10.5	3	M12	5
GN 631-32-4.5	32	4.5	14	7	11	3	M6	3
GN 631-32-6.1	32	6.1	14	6	11	3	M8	5
GN 631-32-7.8	32	7.8	14	5	11	3	M8	5
GN 631-32-9.4	32	9.4	14	4.2	11	3	M12	5
GN 631-40-6.1	40	6.1	16	8	13	4	M8	10
GN 631-40-7.8	40	7.8	16	7	13	4	M10	10
GN 631-40-9.4	40	9.4	16	6.2	13	4	M12	10