

GN 6303.1

EXTENDED RANGE

Quick-tightening knurled knobs



- **Material**
Black-oxide steel.
- **Assembly**
Through and oblique hole, partially tapped.

Applications

GN 6303.1 knurled knobs are used when quick tightening is required and with only a slight clamping force.

Assembly instructions

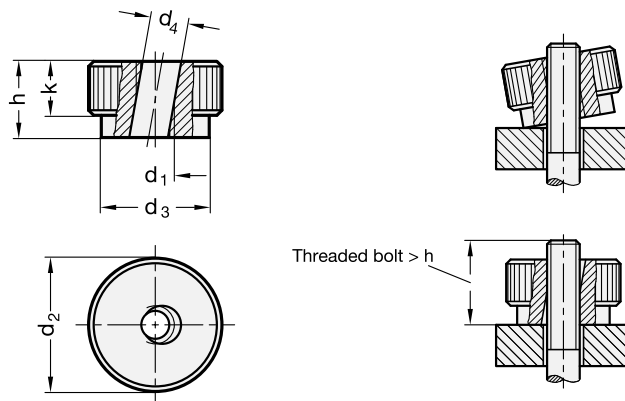
The knob is placed in the axial position so that it fits onto the pin threads. At this point it can be locked with just a slight rotation.



2

92

Clamping knobs



Standard Elements	Main dimensions			Mounting hole			Δ g
	d2	d3	k	d1	d4	h	
GN 6303.1-M5	20	14	8	M5	5.3	12	20
GN 6303.1-M6	24	16	10	M6	6.7	14	35
GN 6303.1-M8	30	20	12	M8	8.7	17	70
GN 6303.1-M10	36	20	14	M10	11	20	100
GN 6303.1-M12	40	32	16	M12	13	24	120