

# GN 506

EXTENDED RANGE

## T-Nuts with guide step

RoHS

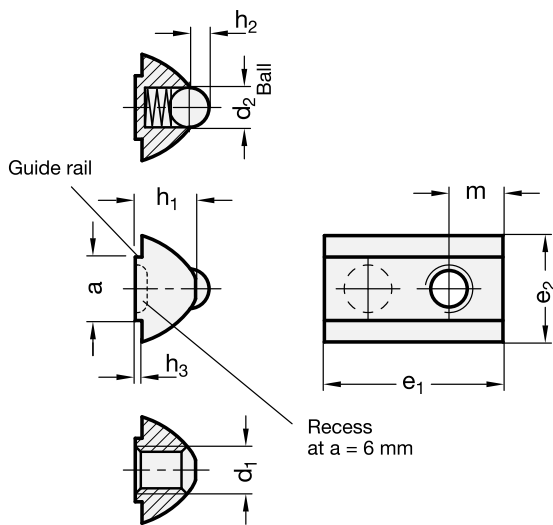
- **Material**  
Zinc-plated steel.
- **Ball**  
Stainless steel.
- **Spring**  
Stainless steel.

### Features and applications

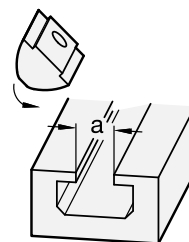
T-nuts with guide step GN 506 can be turned into position, i.e. they can be inserted at any point along the slot.

The spring loaded ball will prevent an unwanted movement of the nut in the slot which is highly desirable on a bed with T-slots in a vertical position.

As an example, T-nuts GN 506 can be used to fit hinges to commercially available extrusion rails.



T-nuts to swivel in



Standard Elements	Main dimensions									for slot width	△
Description	a	d1	d2	e1	e2	h1	h2	h3	m	a	g
GN 506-5-M3	5	M3	3	12	7.7	4.5	0.7	0.6	4	5	2
GN 506-5-M4	5	M4	3	12	7.7	4.5	0.7	0.6	4	5	2
GN 506-5-M5	5	M5	3	12	7.7	4.5	0.7	0.6	4	5	2
GN 506-6-M3	6	M3	3.5	17	10.5	6.8	0.5	0.8	5	6	6
GN 506-6-M4	6	M4	3.5	17	10.5	6.8	0.5	0.8	5	6	5
GN 506-6-M5	6	M4	3.5	17	10.5	6.8	0.5	0.8	5	6	5
GN 506-6-M6	6	M4	3.5	17	10.5	6.8	0.5	0.8	5	6	5
GN 506-8-M4	8	M4	5	22	13.4	7.6	1.7	0.85	6.8	8	11
GN 506-8-M5	8	M5	5	22	13.4	7.6	1.7	0.85	6.8	8	11
GN 506-8-M6	8	M6	5	22	13.4	7.6	1.7	0.85	6.8	8	10
GN 506-8-M8	8	M8	5	22	13.4	7.6	1.7	0.85	6.8	8	9