

GN 418.1

Cam point levers

RoHS

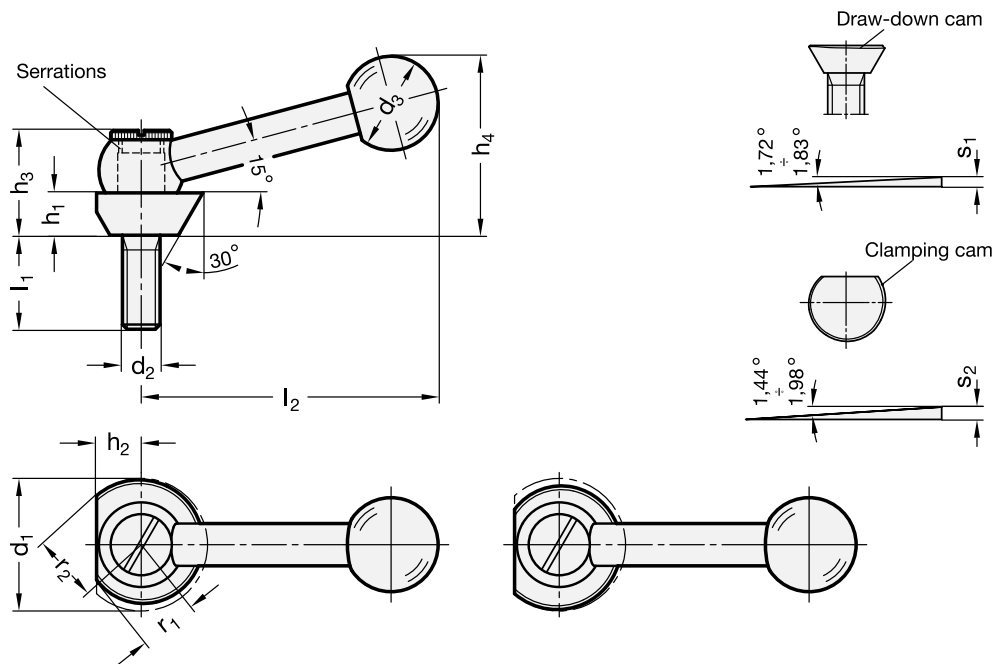
- **Lever**
Black-oxide steel.
- **Handle**
Plastic ball knob DIN 319, black colour.
- **Thread**
Black oxide steel, case hardened all around, HRC 56 ± 1.
- **Cam**
Black oxide steel, case hardened all around, HRC 56 ± 1.
- **Standard versions available**
 - Version **R**: clamping by clockwise turn (d2 = right-hand thread).
 - Version **L**: clamping by anticlockwise turn (d2 = left-hand thread).



Features and applications

Cam point levers GN 418.1 have the same mode of action as the cam point screws GN 418.

The ball-type handle is connected to the cam point lever via a serration, allowing the correct clamping position to be set and the lever to be re-adjusted. The clamping forces F shown in the table refer to the maximum permissible tightening torque and to the specified screw-in depth t.



Standard Elements	Main dimensions														Max. tightening torque in Nm	Max. clamping force F in kN	△△ g
	d1	d2	l1	l2	d3	h1	h2	h3	r1	r2	s1	s2	x ±0,2	z ±0,2			
GN 418.1-28-M8-20-R	28	M8	20	64	20	9	9.5	22.5	12.1	14.1	1.3	2.0	10.0	12.4	*	1.5	78
GN 418.1-28-M8-20-L	28	M8	20	64	20	9	9.5	22.5	12.1	14.1	1.3	2.0	10.0	12.4	*	1.5	78
GN 418.1-28-M10-20-R	28	M10	20	64	20	9	9.5	22.5	12.1	14.1	1.3	2.0	10.0	12.4	*	1.5	81
GN 418.1-28-M10-20-L	28	M10	20	64	20	9	9.5	22.5	12.1	14.1	1.3	2.0	10.0	12.4	*	1.5	82
GN 418.1-36-M10-24-R	36	M10	24	82	25	10.5	12	28.5	16.1	18.2	1.6	2.1	14.1	16.5	*	2.0	158
GN 418.1-36-M10-24-L	36	M10	24	82	25	10.5	12	28.5	16.1	18.2	1.6	2.1	14.1	16.5	*	2.0	158
GN 418.1-36-M12-24-R	36	M12	24	82	25	10.5	12	28.5	16.1	18.2	1.6	2.1	14.1	16.5	*	2.0	163
GN 418.1-36-M12-24-L	36	M12	24	82	25	10.5	12	28.5	16.1	18.2	1.6	2.1	14.1	16.5	*	2.0	164

* Cannot be achieved with clamping lever.