

GN 187.4

Serrated locking plates



Material

Sintered Steel **ST** (Distaloy AB), hardened, black oxidised with vapor.

Assembly

- Type **A**: with tapped hole d_3 in the center, with two countersunk holes d_5 for cap screws.
- Type **B**: with drilling d_4 in the center, with two countersunk holes d_5 for cap screws.
- Type **C**: with tapped hole d_3 in the center, with two tapped mounting holes d_6 .
- Type **D**: with drilling d_4 in the center, with two tapped mounting holes d_6 .
- Type **E**: without drillings, blank, not hardened.

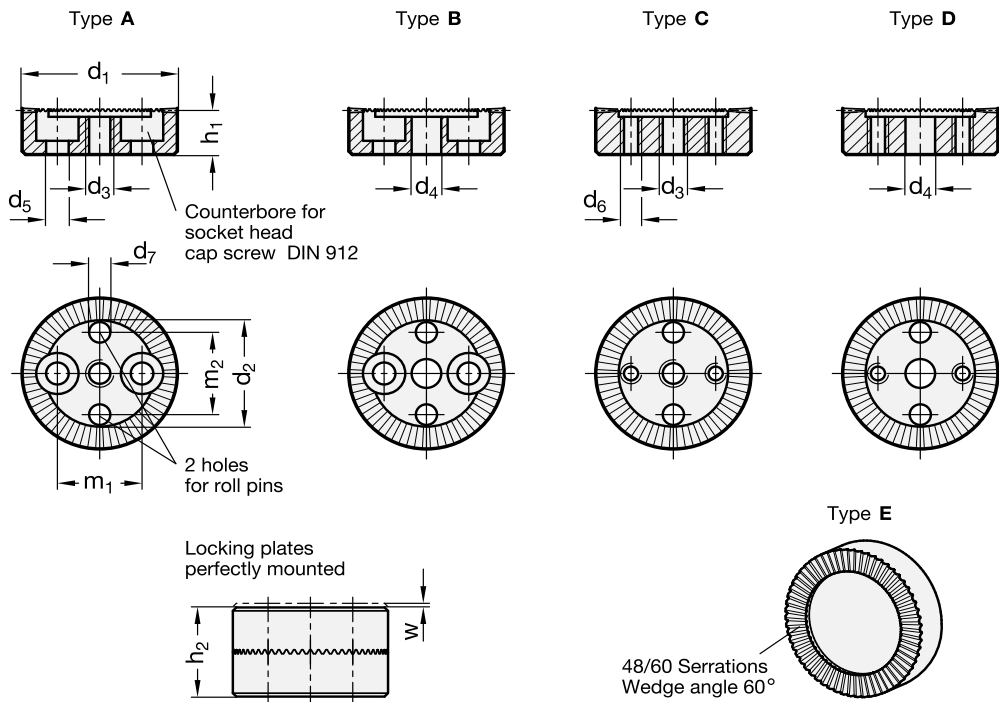
Features and applications

With the aid of serrated locking plates GN 187.4 standard components can be interlocked and firmly set at a defined angle.

The range of designs makes these plates adaptable for almost any application in this particular field.

The angular position of the fixing bores in relation to the serrations is not defined in the standard design. The exact positioning is available as a special design.

To complement these serrated locking plates, accessories such as guide pots GN 187.1 (see catalogue 038, page 630) and thrust springs GN 187.2 (see catalogue 038, page 630) are useful additional standard parts.



Standard Elements	Main dimensions													Δ
Description	d1	z	d2	d3	d4 H11	d5	d6	d7 H11	h1 ±0.09	h2	m1	m2	w min.	g
GN 187.4-22-48-A-ST	22	48	15.5	M4	-	32	-	3	6.5	13	12	12	0.6	13
GN 187.4-22-48-B-ST	22	48	15.5	-	4.2	32	-	3	6.5	13	12	12	0.6	13
GN 187.4-22-48-C-ST	22	48	15.5	M4	-	-	M3	3	6.5	13	12	12	0.6	13
GN 187.4-22-48-D-ST	22	48	15.5	-	4.2	-	M3	3	6.5	13	12	12	0.6	13
GN 187.4-22-48-E-ST	22	48	15.5	-	-	-	-	-	6.5	13	-	-	0.6	15
GN 187.4-22-60-A-ST	22	60	15.5	M4	-	3.2	-	3	6.5	13	12	12	0.6	14
GN 187.4-22-60-B-ST	22	60	15.5	-	4.2	3.2	-	3	6.5	13	12	12	0.6	14
GN 187.4-22-60-C-ST	22	60	15.5	M4	-	-	M3	3	6.5	13	12	12	0.6	14
GN 187.4-22-60-D-ST	22	60	15.5	-	4.2	-	M3	3	6.5	13	12	12	0.6	14
GN 187.4-22-60-E-ST	22	60	15.5	-	-	-	-	-	6.5	13	-	-	0.6	20
GN 187.4-27-48-A-ST	27	48	19.5	M5	-	4.3	-	4	7.5	15	15	15	0.7	22
GN 187.4-27-48-B-ST	27	48	19.5	-	5.2	4.3	-	4	7.5	15	15	15	0.7	22
GN 187.4-27-48-C-ST	27	48	19.5	M5	-	-	M4	4	7.5	15	15	15	0.7	22
GN 187.4-27-48-D-ST	27	48	19.5	-	5.2	-	M4	4	7.5	15	15	15	0.7	22
GN 187.4-27-48-E-ST	27	48	19.5	-	-	-	-	-	7.5	15	-	-	0.7	27
GN 187.4-27-60-A-ST	27	60	19.5	M5	-	4.3	-	4	7.5	15	15	15	0.7	21
GN 187.4-27-60-B-ST	27	60	19.5	-	5.2	4.3	-	4	7.5	15	15	15	0.7	21
GN 187.4-27-60-C-ST	27	60	19.5	M5	-	-	M4	4	7.5	15	15	15	0.7	24
GN 187.4-27-60-D-ST	27	60	19.5	-	5.2	-	M4	4	7.5	15	15	15	0.7	24
GN 187.4-27-60-E-ST	27	60	19.5	-	-	-	-	-	7.5	15	-	-	0.7	30
GN 187.4-32-48-A-ST	32	48	23.5	M6	-	5.3	-	5	9	18	18	18	0.9	36
GN 187.4-32-48-B-ST	32	48	23.5	-	6.2	5.3	-	5	9	18	18	18	0.9	36
GN 187.4-32-48-C-ST	32	48	23.5	M6	-	-	M5	5	9	18	18	18	0.9	36
GN 187.4-32-48-D-ST	32	48	23.5	-	6.2	-	M5	5	9	18	18	18	0.9	36
GN 187.4-32-48-E-ST	32	48	23.5	-	-	-	-	-	9	18	-	-	0.9	46
GN 187.4-32-60-A-ST	32	60	23.5	M6	-	5.3	-	5	9	18	18	18	0.9	37
GN 187.4-32-60-B-ST	32	60	23.5	-	6.2	5.3	-	5	9	18	18	18	0.9	36
GN 187.4-32-60-C-ST	32	60	23.5	M6	-	-	M5	5	9	18	18	18	0.9	41
GN 187.4-32-60-D-ST	32	60	23.5	-	6.2	-	M5	5	9	18	18	18	0.9	40
GN 187.4-32-60-E-ST	32	60	23.5	-	-	-	-	-	9	18	-	-	0.9	46
GN 187.4-40-48-A-ST	40	48	30	M8	-	6.3	-	6	11.5	23	23	23	1.3	75
GN 187.4-40-48-B-ST	40	48	30	-	8.2	6.3	-	6	11.5	23	23	23	1.3	72
GN 187.4-40-48-C-ST	40	48	30	M8	-	-	M6	6	11.5	23	23	23	1.3	81
GN 187.4-40-48-D-ST	40	48	30	-	8.2	-	M6	6	11.5	23	23	23	1.3	79
GN 187.4-40-48-E-ST	40	48	30	-	-	-	-	-	11.5	23	-	-	1.3	80
GN 187.4-40-60-A-ST	40	60	30	M8	-	6.3	-	6	11.5	23	23	23	1.3	60
GN 187.4-40-60-B-ST	40	60	30	-	8.2	6.3	-	6	11.5	23	23	23	1.3	80
GN 187.4-40-60-C-ST	40	60	30	M8	-	-	M6	6	11.5	23	23	23	1.3	80
GN 187.4-40-60-D-ST	40	60	30	-	8.2	-	M6	6	11.5	23	23	23	1.3	80
GN 187.4-40-60-E-ST	40	60	30	-	-	-	-	-	11.5	23	-	-	1.7	90