

# DIN 6321

## Workholding bolts / Headed dowels



### • Material

Black-oxide, hardened steel.

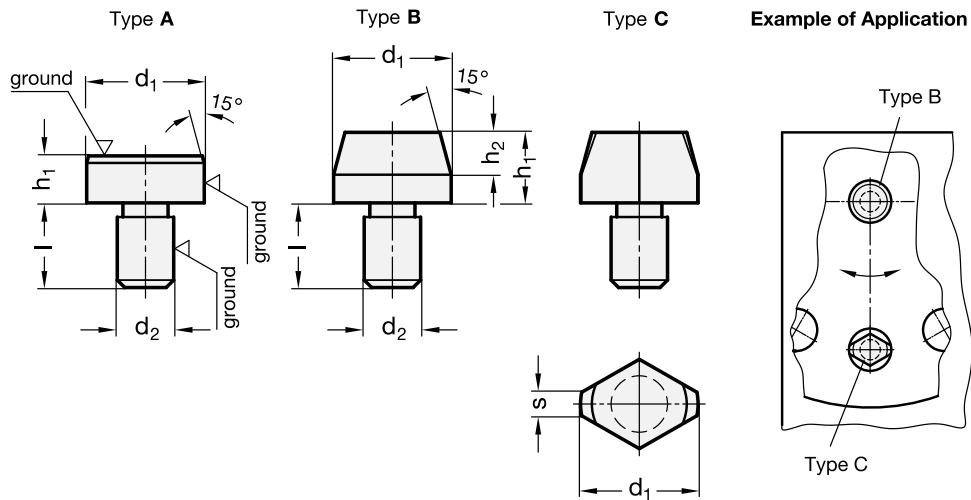
### • Standard versions available


- Type **A**: Headed dowel, low, without centre hole.
- Type **B**: Workholding bolt, high, cylindrical, with centre hole.
- Type **C**: Workholding bolt, high, flattened, with centre hole.

### Features and applications

Workholding bolts DIN 6321 are inserted into bores for positioning, assisted by the flattened design (type C) to compensate tolerances in the spacing of two bores. Another application of this design is to fix parts to be positioned in one direction only.

Types A and B can also be used as bearing surfaces, stops or as foot.



| Standard Elements | Main dimensions |         |       |    |    |     |  |
|-------------------|-----------------|---------|-------|----|----|-----|---|
| Description       | d1              | h1 ±0.1 | d2 n6 | h2 | l  | s ≈ | g   |
| DIN 6321-6-5-A    | 6               | 5       | 4     | -  | 6  | -   | 7   |
| DIN 6321-10-6-A   | 10              | 6       | 6     | -  | 9  | -   | 5   |
| DIN 6321-16-8-A   | 16              | 8       | 8     | -  | 12 | -   | 17  |
| DIN 6321-25-10-A  | 25              | 10      | 12    | -  | 18 | -   | 53  |
| DIN 6321-6-7-B    | 6               | 7       | 4     | 4  | 6  | -   | 2   |
| DIN 6321-6-12-B   | 6               | 12      | 4     | 4  | 6  | -   | 3   |
| DIN 6321-8-10-B   | 8               | 10      | 6     | 6  | 9  | -   | 5   |
| DIN 6321-10-10-B  | 10              | 10      | 6     | 6  | 9  | -   | 7   |
| DIN 6321-8-16-B   | 8               | 16      | 6     | 6  | 9  | -   | 7   |
| DIN 6321-10-18-B  | 10              | 18      | 6     | 6  | 9  | -   | 12  |
| DIN 6321-12-10-B  | 12              | 10      | 6     | 6  | 9  | -   | 10  |
| DIN 6321-12-18-B  | 12              | 18      | 6     | 6  | 9  | -   | 17  |
| DIN 6321-16-13-B  | 16              | 13      | 8     | 8  | 12 | -   | 22  |
| DIN 6321-16-22-B  | 16              | 22      | 8     | 8  | 12 | -   | 36  |
| DIN 6321-20-15-B  | 20              | 15      | 12    | 9  | 18 | -   | 47  |
| DIN 6321-20-25-B  | 20              | 25      | 12    | 9  | 18 | -   | 72  |
| DIN 6321-25-15-B  | 25              | 15      | 12    | 9  | 18 | -   | 66  |
| DIN 6321-25-25-B  | 25              | 25      | 12    | 9  | 18 | -   | 105   |
| DIN 6321-6-7-C    | 6               | 7       | 4     | 4  | 6  | 1   | 3   |
| DIN 6321-6-12-C   | 6               | 12      | 4     | 4  | 6  | 1   | 4   |
| DIN 6321-8-10-C   | 8               | 10      | 4.6   | 6  | 9  | 1.6 | 4   |
| DIN 6321-8-16-C   | 8               | 16      | 4.6   | 6  | 9  | 1.6 | 5   |
| DIN 6321-10-10-C  | 10              | 10      | 6     | 6  | 9  | 2.5 | 6   |
| DIN 6321-10-18-C  | 10              | 18      | 6     | 6  | 9  | 2.5 | 9   |
| DIN 6321-12-10-C  | 12              | 10      | 6     | 6  | 9  | 2.5 | 7   |
| DIN 6321-12-18-C  | 12              | 18      | 6     | 6  | 9  | 2.5 | 11  |
| DIN 6321-16-13-C  | 16              | 13      | 8     | 8  | 12 | 3.5 | 17  |
| DIN 6321-16-22-C  | 16              | 22      | 8     | 8  | 12 | 3.5 | 25  |
| DIN 6321-20-15-C  | 20              | 15      | 11.2  | 9  | 18 | 5   | 39  |
| DIN 6321-20-25-C  | 20              | 25      | 12    | 9  | 18 | 5   | 55  |
| DIN 6321-25-15-C  | 25              | 15      | 12    | 9  | 18 | 5   | 49  |
| DIN 6321-25-25-C  | 25              | 25      | 12    | 9  | 18 | 5   | 72  |