

GN 822.8

Mini indexing plungers



• Body with flange

Zinc alloy die-cast with two holes for assembly with countersunk head screw.
Corrosions-resistant ZINDG PASS nano®-coating, anthracite coloured.

• Plunger

AISI 303 stainless steel.
Suggested matching hole with tolerance +0.03/+0.08.

• "Push/Pull" knurled knob

Polyamide based (PA) technopolymer, black colour, matte finish, not removable.

• Spring

AISI 301 stainless steel.

• Standard versions available

- Type **B**: without rest position.
- Type **C**: with rest position.



Accessories on request

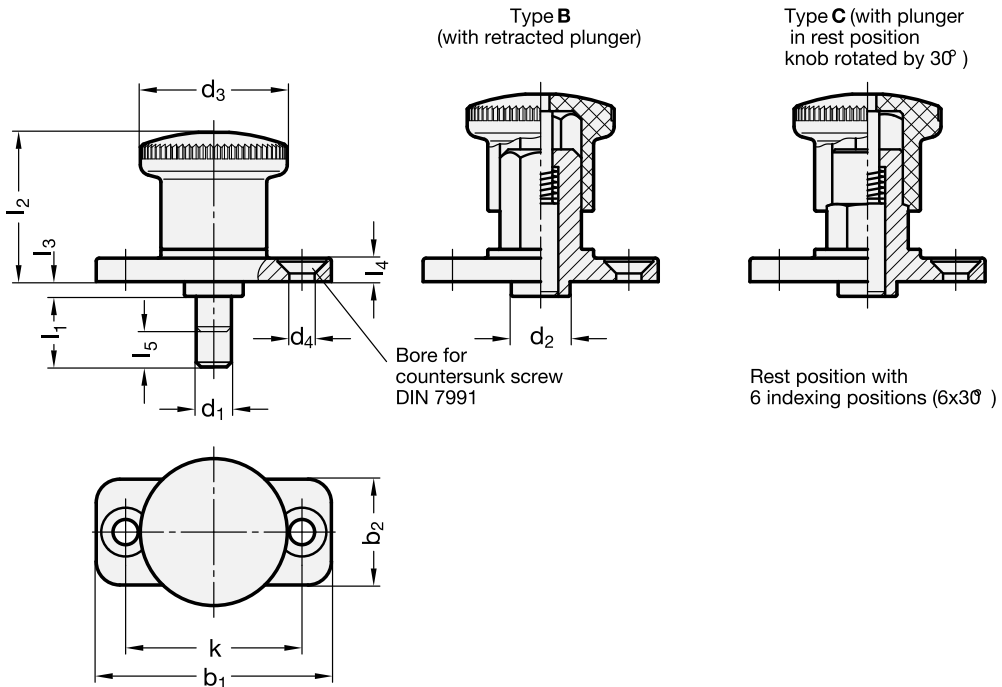
- Distance bushings GN 609 (see page 322).
- Flat hexagonal nuts GN 909.5 (see page 334).

Features and applications

Mini indexing plungers GN 822.8 are distinguished for their small dimensions.
They are mounted by countersunk screws.

8
312

Indexing elements



Standard Elements	Main dimensions												Spring pressure in N ≈		△△
	Description	d1 h9	l1	b1	b2	d2 -0.15	d3	d4	k	l2	l3	l4	l5	Preload	
GN 822.8-4-5-*	4	5	35	15	8	21	4.3	25	20.5	2	4	5	4	12	23
GN 822.8-4-10-*	4	10	35	15	8	21	4.3	25	20.5	2	4	5	4	12	23
GN 822.8-5-6-*	5	6	40	18	10	25	4.3	30	25.5	2.5	4	6	6	16	30
GN 822.8-5-12-*	5	12	40	18	10	25	4.3	30	25.5	2.5	4	6	6	16	40
GN 822.8-6-6-*	6	6	40	18	10	25	4.3	30	25.5	2.5	4	6	6	16	39
GN 822.8-6-12-*	6	12	40	18	10	25	4.3	30	25.5	2.5	4	6	6	16	86
GN 822.8-8-10-*	8	10	50	23	14	33	5.3	38	35	2.5	5	10	15	35	94
GN 822.8-8-20-*	8	20	50	23	14	33	5.3	38	35	2.5	5	10	11	35	84
GN 822.8-10-10-*	10	10	50	23	14	33	5.3	38	35	2.5	5	10	11	35	96
GN 822.8-10-20-*	10	20	50	23	14	33	5.3	38	35	2.5	5	10	11	35	102

* Complete the description of the standard item needed by adding the type of the plunger B (without rest position) or C (with rest position).