

# GN 817.2

## Indexing plungers

RoHS

- **Threaded body**

Black-oxide steel.

- **Plunger**

Hardened ground steel. Suggested matching hole in H7 tolerance.

- **Locking nut**

Black-oxide steel.

- **Knurled knob**

High impact strength polyamide based (PA) technopolymer, black colour, matte finish. Resistant to solvents, oils, greases and other chemical agents.

- **Standard versions available**

- Type **B**: without rest position, without locknut.

- Type **BK**: with rest position, without locknut ISO 8675.

- Type **C**: with rest position, without locknut.

- Type **CK**: with rest position, with locknut ISO 8675.



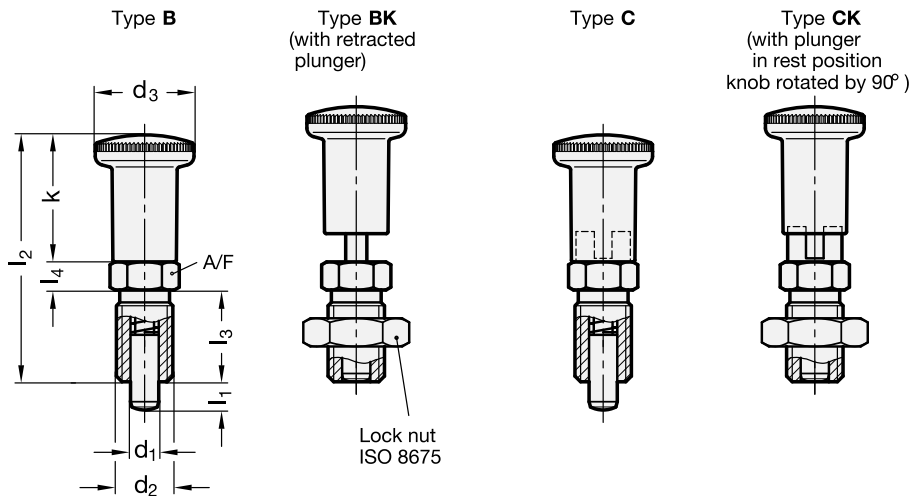
### Features and applications

Indexing plungers GN 817.2 match GN 817, they only differ from a longer knob. Type C with rest position is used in such applications where the plunger must not protrude continually. In that case the knob is retracted and afterwards turned by 90°. A notch keeps the plunger in this position.

8

294

Indexing elements



Standard Elements	Main dimensions									Spring pressure in N $\approx$		$\triangle$
Description	d1 <small>-0.02 -0.04</small>	l1	d2	d3	k	l2	l3	l4	A/F	Preload	Max. load	g
GN 817.2-4-4-B	4	4	M8x1	16	21	42	16	5	10	4.5	12	11
GN 817.2-4-6-B	4	6	M8x1	16	21	42	16	5	10	4	12.5	11
GN 817.2-5-5-B	5	5	M10x1	19	24	48	18	6	12	5	15	19
GN 817.2-5-8-B	5	8	M10x1	19	24	48	18	6	12	5	18	19
GN 817.2-6-6-B	6	6	M12x1.5	23	30	58	22	6	14	6.5	19	32
GN 817.2-6-9-B	6	9	M12x1.5	23	30	58	22	6	14	6	25	32
GN 817.2-8-8-B	8	8	M16x1.5	28	36	70	26	8	17	8.5	26	68
GN 817.2-8-12-B	8	12	M16x1.5	28	36	70	26	8	17	8.5	28	67
GN 817.2-10-12-B	10	12	M16x1.5	28	36	70	26	8	17	9.5	38	69
GN 817.2-12-15-B	12	15	M20x1.5	28	36	79	33	10	22	11.5	40	117
GN 817.2-4-4-BK	4	4	M8x1	16	21	42	16	5	10	4.5	12	12
GN 817.2-4-6-BK	4	6	M8x1	16	21	42	16	5	10	4	12.5	12
GN 817.2-5-5-BK	5	5	M10x1	19	24	48	18	6	12	5	15	20
GN 817.2-5-8-BK	5	8	M10x1	19	24	48	18	6	12	5	18	20
GN 817.2-6-6-BK	6	6	M12x1.5	23	30	58	22	6	14	6.5	19	33
GN 817.2-6-9-BK	6	9	M12x1.5	23	30	58	22	6	14	6	25	33
GN 817.2-8-8-BK	8	8	M16x1.5	28	36	70	26	8	17	8.5	26	69
GN 817.2-8-12-BK	8	12	M16x1.5	28	36	70	26	8	17	8.5	28	69
GN 817.2-10-12-BK	10	12	M16x1.5	28	36	70	26	8	17	9.5	38	71
GN 817.2-12-15-BK	12	15	M20x1.5	28	36	79	33	10	22	11.5	40	151
GN 817.2-4-4-C	4	4	M8x1	16	21	42	16	5	10	4.5	12	12
GN 817.2-4-6-C	4	6	M8x1	16	21	42	16	5	10	4	12.5	13
GN 817.2-5-5-C	5	5	M10x1	19	24	48	18	6	12	5	15	21
GN 817.2-5-8-C	5	8	M10x1	19	24	48	18	6	12	5	18	22
GN 817.2-6-6-C	6	6	M12x1.5	23	30	58	22	6	14	6.5	19	35
GN 817.2-6-9-C	6	9	M12x1.5	23	30	58	22	6	14	6	25	36
GN 817.2-8-8-C	8	8	M16x1.5	28	36	70	26	8	17	8.5	26	73
GN 817.2-8-12-C	8	12	M16x1.5	28	36	70	26	8	17	8.5	28	71
GN 817.2-10-12-C	10	12	M16x1.5	28	36	70	26	8	17	9.5	38	74
GN 817.2-12-15-C	12	15	M20x1.5	28	36	79	33	10	22	11.5	40	125
GN 817.2-4-4-CK	4	4	M8x1	16	21	42	16	5	10	4.5	12	13
GN 817.2-4-6-CK	4	6	M8x1	16	21	42	16	5	10	4	12.5	13
GN 817.2-5-5-CK	5	5	M10x1	19	24	48	18	6	12	5	15	22
GN 817.2-5-8-CK	5	8	M10x1	19	24	48	18	6	12	5	18	22
GN 817.2-6-6-CK	6	6	M12x1.5	23	30	58	22	6	14	6.5	19	36
GN 817.2-6-9-CK	6	9	M12x1.5	23	30	58	22	6	14	6	25	37
GN 817.2-8-8-CK	8	8	M16x1.5	28	36	70	26	8	17	8.5	26	75
GN 817.2-8-12-CK	8	12	M16x1.5	28	36	70	26	8	17	8.5	28	72
GN 817.2-10-12-CK	10	12	M16x1.5	28	36	70	26	8	17	9.5	38	77
GN 817.2-12-15-CK	12	15	M20x1.5	28	36	79	33	10	22	11.5	40	151