

GN 7336.8

Knurled indexing plungers

RoHS

- **Threaded body**
Zinc-plated steel, blue passivated.
- **Plunger**
Steel, nitrided and blackened. Suggested matching hole in G7 tolerance.
- **Knob GN 7336**
Plastic, polyamide based (PA) technopolymer, black matte.
- **Cover cap**
Plastic, light grey.

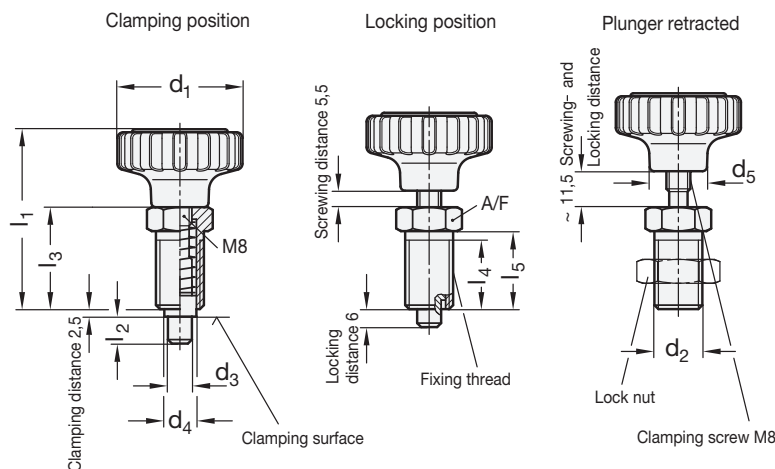
Accessories on request

Distance bushings GN 609 (see page 322).

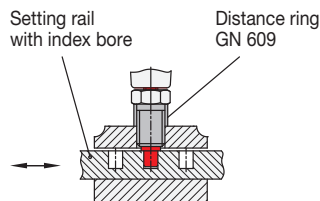
Features and applications

Knurled indexing plungers GN 7336.8 are an advanced development of the knurled knobs GN 7336.7 with indexing plunger.

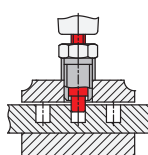
Like the latter, they are used for positioning, securing and clamping adjusting elements at the same time. This configuration ensures that the indexing plunger cannot be pulled from the indexing bore by turning the knurled knob, but only by deliberately pulling the handle (Safety function!).



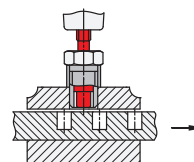
Assembly example



Setting rail positioned through indexing plunger, clamped with the clamping surface of the indexing plunger via the knurled knob and the clamping screw M8



Clamping action released and clamping screw M8 fully turned out. Indexing plunger remains engaged (safety funktion)



Clamping screw no longer engaged, the indexing plunger can now pulled out of indexing bore

Standard Elements	Main dimensions											Spring pressure in N \approx		\triangle
Description	d1	d2	d3 ^{-0.02} _{-0.04}	d4	d5	l1	l2	l3	l4 min.	l5	A/F	Preload	Max. load	g
GN 7336.8-42-M16x1.5-6	42	M16x1.5	6	11	19	60	9	34	23	26	19	14	26	100
GN 7336.8-42-M16x1.5-8	42	M16x1.5	8	11	19	60	9	34	23	26	19	14	26	100
GN 7336.8-53-M16x1.5-6	53	M16x1.5	6	11	24	66	9	34	23	26	19	14	26	120
GN 7336.8-53-M16x1.5-8	53	M16x1.5	8	11	24	66	9	34	23	26	19	14	26	120