

Indexing plungers



- **Threaded body**
AISI 303 stainless steel.
- **Plunger**
AISI 303 stainless steel.
Suggested matching hole with tolerance +0.03/+0.08.
- **Locking nut**
AISI 304 stainless steel.
- **Lifting ring**
Stainless steel.
- **“Push/Pull” knurled knob**
High resilience polyamide based (PA) technopolymer, black colour, matte finish. Resistant to solvents, oils, greases and other chemical agents.
- **Standard versions available**
 - Type **A**: with lifting ring, without locking nut.
 - Type **AK**: with lifting ring, with locking nut, ISO 4035/ ISO 8675.
 - Type **B**: with knob, without locking nut.
 - Type **BK**: with knob, with locking nut, ISO 4035/ ISO 8675.



Features and applications

Indexing plungers GN 717-NI are used where positioning operations are required.

GN 717-NI are a range of low cost indexing plungers which score highly on small dimensions. Their use should, however be limited to such applications where high precision indexing is not required.

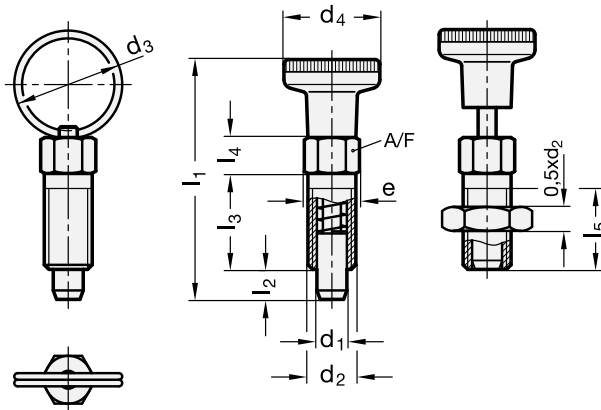
Due to comparably small dimensions indexing plungers GN 717-NI, it is advisable to follow the data listed in above table regarding maximum tightening torque during assembly.

AISI 303 stainless steel, thanks to its high resistance to corrosion, allows the application of these indexing plungers on machines and equipment in those sectors where laws or particular hygienic, climatic and environmental factors make it mandatory to use corrosion resistant materials.

Type A

Type B

Type BK
(with retracted
plunger)



Standard Elements	Main dimensions											max. tightening torque in Nm	Spring pressure		g
Description	d _{1 h11}	d ₂	d ₃	d ₄	e	l ₁	l _{2 min.}	l ₃	l ₄	l _{5 min.}	A/F		Preload in N	Max. load in N	
GN 717-3-M6-A-NI	3	M6	14	-	6.9	-	3.5	12	4.5	10	6	2	3	12	4
GN 717-4-M6-A-NI	4	M6	14	-	6.9	-	4	12	4.5	10	6	2	3	12	4
GN 717-5-M8-A-NI	5	M8	18	-	6.9	-	5	16	6	13.5	8	7	5	24	8
GN 717-6-M10-A-NI	6	M10	24	-	6.9	-	6	20	7.5	17	10	15	5	21	17
GN 717-8-M12-A-NI	8	M12	30	-	6.9	-	8	24	9	20.5	12	20	6	22	30
GN 717-3-M6-AK-NI	3	M6	14	-	6.9	-	3.5	12	4.5	10	6	2	3	12	4
GN 717-4-M6-AK-NI	4	M6	14	-	6.9	-	4	12	4.5	10	6	2	3	12	5
GN 717-5-M8-AK-NI	5	M8	18	-	6.9	-	5	16	6	13.5	8	7	5	24	11
GN 717-6-M10-AK-NI	6	M10	24	-	6.9	-	6	20	7.5	17	10	15	5	21	22
GN 717-8-M12-AK-NI	8	M12	30	-	6.9	-	8	24	9	20.5	12	20	6	22	41
GN 717-3-M6-B-NI	3	M6	-	12	6.9	30	3.5	12	4.5	10	6	2	3	12	4
GN 717-4-M6-B-NI	4	M6	-	12	6.9	30.5	4	12	4.5	10	6	2	3	12	4
GN 717-5-M8-B-NI	5	M8	-	16	6.9	40	5	16	6	13.5	8	7	5	24	9
GN 717-6-M10-B-NI	6	M10	-	18	6.9	49	6	20	7.5	17	10	15	5	21	18
GN 717-8-M12-B-NI	8	M12	-	21	6.9	59	8	24	9	20.5	12	20	6	22	32
GN 717-3-M6-BK-NI	3	M6	-	12	6.9	30	3.5	12	4.5	10	6	2	3	12	4
GN 717-4-M6-BK-NI	4	M6	-	12	6.9	30.5	4	12	4.5	10	6	2	3	12	5
GN 717-5-M8-BK-NI	5	M8	-	16	6.9	40	5	16	6	13.5	8	7	5	24	12
GN 717-6-M10-BK-NI	6	M10	-	18	6.9	49	6	20	7.5	17	10	15	5	21	23
GN 717-8-M12-BK-NI	8	M12	-	21	6.9	59	8	24	9	20.5	12	20	6	22	43
GN 717-3-M6x0.75-A-NI	3	M6x0.75	14	-	6.9	-	3.5	12	4.5	10	6	3	3	12	4
GN 717-4-M8x1-A-NI	4	M8x1	18	-	9.2	-	4.5	16	6	13.5	8	8	5	24	8
GN 717-5-M10x1-A-NI	5	M10x1	18	-	11.5	-	5	16	6	16	10	22	5	24	17
GN 717-6-M12x1.5-A-NI	6	M12x1.5	24	-	13.8	-	6	20	7.5	20	12	38	5	21	30
GN 717-8-M16x1.5-A-NI	8	M16x1.5	30	-	19.6	-	8	24	9	24	17	80	6	22	54
GN 717-3-M6x0.75-AK-NI	3	M6x0.75	14	-	6.9	-	3.5	12	4.5	10	6	3	3	12	5
GN 717-4-M8x1-AK-NI	4	M8x1	18	-	9.2	-	4.5	16	6	13.5	8	8	5	24	11
GN 717-5-M10x1-AK-NI	5	M10x1	18	-	11.5	-	5	16	6	16	10	22	5	24	22
GN 717-6-M12x1.5-AK-NI	6	M12x1.5	24	-	13.8	-	6	20	7.5	20	12	38	5	21	41
GN 717-8-M16x1.5-AK-NI	8	M16x1.5	30	-	19.6	-	8	24	9	24	17	80	6	22	80
GN 717-3-M6x0.75-B-NI	3	M6x0.75	-	12	6.9	30	3.5	12	4.5	10	6	3	3	12	4
GN 717-4-M8x1-B-NI	4	M8x1	-	16	9.2	39.5	4.5	16	6	13.5	8	8	5	24	9
GN 717-5-M10x1-B-NI	5	M10x1	-	18	11.5	42.5	5	16	6	16	10	22	5	24	18
GN 717-6-M12x1.5-B-NI	6	M12x1.5	-	21	13.8	52	6	20	7.5	20	12	38	5	21	32
GN 717-8-M16x1.5-B-NI	8	M16x1.5	-	25	19.6	63.5	8	24	9	24	17	80	6	22	50
GN 717-3-M6x0.75-BK-NI	3	M6x0.75	-	12	6.9	30	3.5	12	4.5	10	6	3	3	12	5
GN 717-4-M8x1-BK-NI	4	M8x1	-	16	9.2	39.5	4.5	12	4.5	13.5	8	8	3	12	12
GN 717-5-M10x1-BK-NI	5	M10x1	-	18	11.5	42.5	5	16	6	16	10	22	5	24	23
GN 717-6-M12x1.5-BK-NI	6	M12x1.5	-	21	13.8	52	6	20	7.5	20	12	38	5	21	43
GN 717-8-M16x1.5-BK-NI	8	M16x1.5	-	25	19.6	63.5	8	24	9	24	17	80	6	22	80