

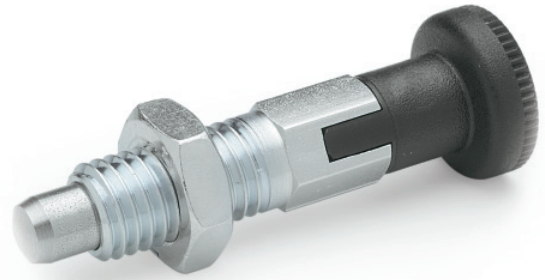
GN 717-C

EXTENDED RANGE

Indexing plungers with rest position

RoHS

- **Threaded body**
Zinc-plated steel.
- **Plunger**
AISI 303 stainless steel.
Suggested matching hole with tolerance +0.03/+0.08.
- **Locking nut**
Zinc-plated steel.
- **“Push/Pull” knurled knob**
High resilience polyamide based (PA) technopolymer, black colour, matte finish. Resistant to solvents, oils, greases and other chemical agents.
- **Standard versions available**
 - Type **C**: with knob, without locking nut.
 - Type **CK**: with knob and locking nut, ISO 4035/ ISO 8675.



Features and applications

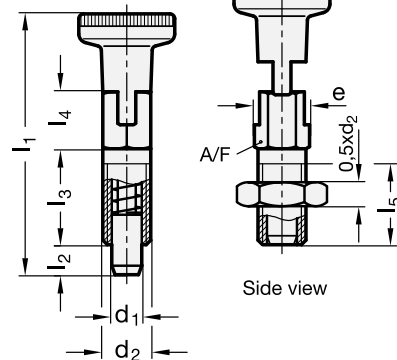
Indexing plungers with rest position GN 717-C are used where positioning operations are required and in those applications where the plunger needs to be locked in the retracted position.

GN 717-C are a range of low cost indexing plungers which score highly on small dimensions. Their use should, however be limited to such applications where high precision indexing is not required.

Due to comparably small dimensions indexing plungers GN 717-C, it is advisable to follow the data listed in above table regarding maximum tightening torque during assembly.

Type C

Type CK
(with plunger
in rest position,
knob rotated by 90°)



Standard Elements	Main dimensions										max. tightening torque in Nm	Spring pressure		Δ g
	Description	d1 h11	d2	d4	e	l1	l2 min.	l3	l4	l5 min.		A/F	Preload in N	
GN 717-3-M6-C-ST	3	M6	12	6.9	32.5	3.5	12	7	10	6	2	3	12	4
GN 717-4-M6-C-ST	4	M6	12	6.9	33	4	12	7	10	6	2	3	12	4
GN 717-5-M8-C-ST	5	M8	16	6.9	43.5	5	16	9.5	13.5	8	7	5	24	10
GN 717-6-M10-C-ST	6	M10	18	6.9	52	6	20	10.5	17	10	15	5	21	19
GN 717-8-M12-C-ST	8	M12	21	6.9	63.5	8	24	13.5	20.5	12	20	6	22	35
GN 717-3-M6-CK-ST	3	M6	12	6.9	32.5	3.5	12	7	10	6	2	3	12	4
GN 717-4-M6-CK-ST	4	M6	12	6.9	33	4	12	7	10	6	2	3	12	5
GN 717-5-M8-CK-ST	5	M8	16	6.9	43.5	5	16	9.5	13.5	8	7	5	24	12
GN 717-6-M10-CK-ST	6	M10	18	6.9	52	6	20	10.5	17	10	15	5	21	24
GN 717-8-M12-CK-ST	8	M12	21	6.9	63.5	8	24	13.5	20.5	12	20	6	22	46
GN 717-3-M6x0.75-C-ST	3	M6x0.75	12	6.9	32.5	3.5	12	7	10	6	3	3	12	4
GN 717-4-M8x1-C-ST	4	M8x1	16	9.2	43	4.5	16	9.5	13.5	8	8	5	24	10
GN 717-5-M10x1-C-ST	5	M10x1	18	11.5	46	5	16	10	16	10	22	5	24	19
GN 717-6-M12x1.5-C-ST	6	M12x1.5	21	13.8	55	6	20	11	20	12	38	5	21	35
GN 717-8-M16x1.5-C-ST	8	M16x1.5	25	19.6	68	8	24	13.5	24	17	80	6	22	60
GN 717-3-M6x0.75-CK-ST	3	M6x0.75	12	6.9	32.5	3.5	12	7	10	6	3	3	12	5
GN 717-4-M8x1-CK-ST	4	M8x1	16	9.2	43	4.5	12	9.5	13.5	8	8	3	12	12
GN 717-5-M10x1-CK-ST	5	M10x1	18	11.5	46	5	16	10	16	10	22	5	24	24
GN 717-6-M12x1.5-CK-ST	6	M12x1.5	21	13.8	55	6	20	11	20	12	38	5	21	46
GN 717-8-M16x1.5-CK-ST	8	M16x1.5	25	19.6	68	8	24	13.5	24	17	80	6	22	80