

## Indexing plungers with rest position



- **Threaded body**  
AISI 303 stainless steel.
- **Plunger**  
AISI 303 stainless steel, chemically nickel plated.  
Suggested matching hole in H7 tolerance.
- **Locking nut**  
AISI 304 stainless steel.
- **“Push/Pull” knob**  
AISI 303 stainless steel, not removable. Resistant to solvents, oils, greases and other chemical agents.
- **Standard versions available**
  - Type **AN**: with stainless steel knob, without locking nut.
  - Type **AKN**: with stainless steel knob, with locking nut, ISO 8675.



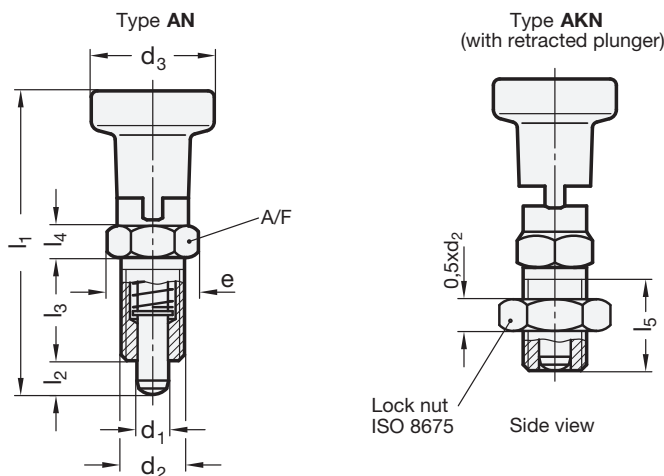
### Accessories on request

Distance bushings GN 609.5 (see page 324).

### Features and applications

Indexing plungers GN 617.1-NI with rest position are used where positioning operations are required and in those applications where the plunger needs to be locked in the retracted position.

AISI 303 stainless steel, thanks to its high resistance to corrosion, allows the application of these indexing plungers on machines and equipment in those sectors where laws or particular hygienic, climatic and environmental factors make it mandatory to use corrosion resistant materials.



Standard Elements	Main dimensions										Spring pressure in N ≈		ΔΔ
	Description	d1 <sup>-0.02/-0.04</sup>	d2	d3	e	l1 ≈	l2 min.	l3	l4	l5 min.	A/F	Preload	
GN 617.1-5-AN-NI	5	M10x1	21	13.8	51	5	17	5	15	12	6	15	45
GN 617.1-6-AN-NI	6	M12x1.5	25	16.2	61	6	20	6	17	14	8	21	70
GN 617.1-8-AN-NI	8	M16x1.5	31	21.9	75.5	7	26	8	23	19	9	26	150
GN 617.1-10-AN-NI	10	M20x1.5	31	25.4	91	10	33	10	30	22	17	40	200
GN 617.1-5-AKN-NI	5	M10x1	21	13.8	51	5	17	5	15	12	6	15	40
GN 617.1-6-AKN-NI	6	M12x1.5	25	16.2	61	6	20	6	17	14	8	21	160
GN 617.1-8-AKN-NI	8	M16x1.5	31	21.9	75.5	8	26	8	23	19	9	26	140
GN 617.1-10-AKN-NI	10	M20x1.5	31	25.4	91	10	33	10	30	22	17	40	240