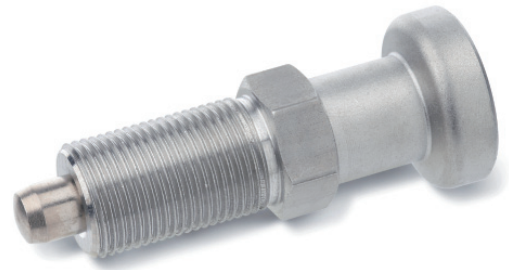


## Indexing plungers



- **Threaded body**  
AISI 303 stainless steel.
- **Plunger**  
AISI 303 stainless steel, chemically nickel-plated.  
Suggested matching hole in H7 tolerance.
- **Locking nut**  
AISI 304 stainless steel.
- **“Push/Pull” knob**  
AISI 303 stainless steel, not removable. Resistant to solvents, oils, greases and other chemical agents.
- **Standard versions available**
  - Type **AN**: with stainless steel knob, without locking nut.
  - Type **AKN**: with stainless steel knob, with locking nut, ISO 8675.



### Accessories on request

Distance bushings GN 609.5 (see page 324).

### Features and applications

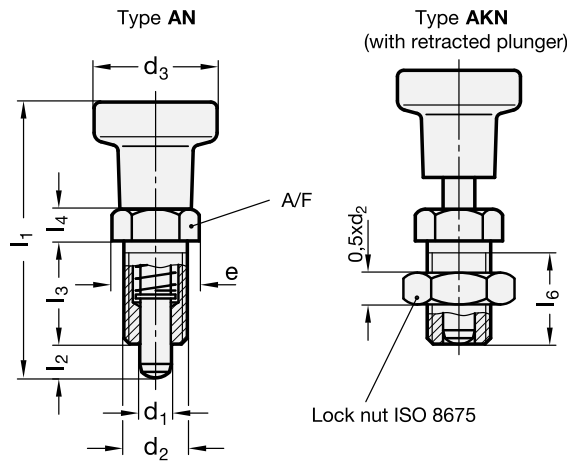
Indexing plungers GN 617-NI are used where positioning operations are required.

AISI 303 stainless steel, thanks to its high resistance to corrosion, allows the application of these indexing plungers on machines and equipment in those sectors where laws or particular hygienic, climatic and environmental factors make it mandatory to use corrosion resistant materials.

8

274

Indexing elements



Standard Elements	Main dimensions										Spring pressure in N $\approx$		$\Delta \triangle$
	Description	d1 <sup>-0.02</sup> / <sub>-0.04</sub>	d2	d3	e	l1 $\approx$	l2 min.	l3	l4	l6 min.	A/F	Preload	
GN 617-5-AN-NI	5	M10x1	21	13.8	45	5	17	5	15	12	6	12	39
GN 617-6-AN-NI	6	M12x1.5	25	16.2	54.5	6	20	6	17	14	8	21	65
GN 617-8-AN-NI	8	M16x1.5	31	21.9	69	8	26	8	23	19	9	26	135
GN 617-10-AN-NI	10	M20x1.5	31	25.4	80	10	33	10	30	22	17	40	175
GN 617-5-AKN-NI	5	M10x1	21	13.8	45	5	17	5	15	12	6	15	40
GN 617-6-AKN-NI	6	M12x1.5	25	16.2	54.5	6	20	6	17	14	8	21	80
GN 617-8-AKN-NI	8	M16x1.5	31	21.9	69	8	26	8	23	19	9	26	140
GN 617-10-AKN-NI	10	M20x1.5	31	25.4	80	10	33	10	30	22	17	40	220