

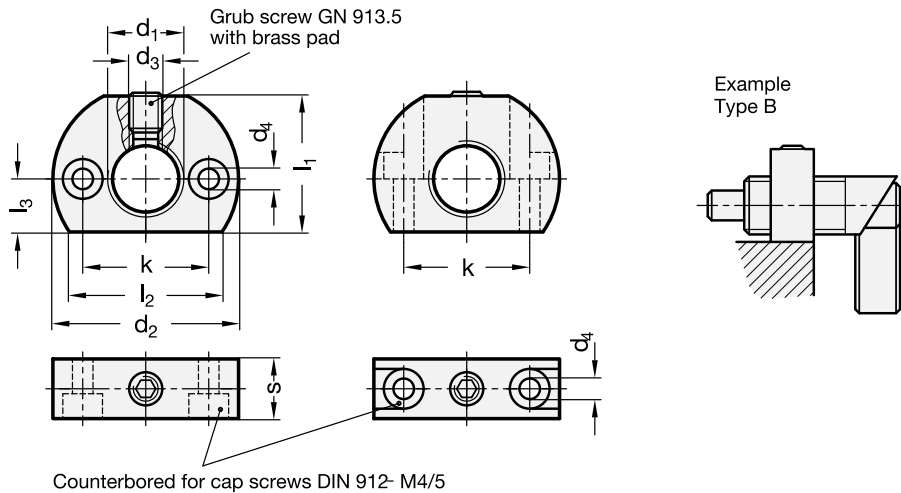
Mounting blocks



- **Material**
AISI 303 stainless steel.
- **Set screw**
Stainless steel, GN 913.5-MS type with brass pad.
- **Standard versions available**
 - Type **A**: fixing holes parallel to plunger.
 - Type **B**: fixing holes vertical to plunger.

Features and applications

Mounting blocks GN 612.1-NI broaden to the mounting possibilities and are an added feature for the cam action indexing plungers GN 612 and cam action indexing plungers GN 712 / GN 712.1. They can also be used with indexing plungers GN 613, sizes 6, 8 and 10.



Standard Elements	Main dimensions									Δ
Description	d1	d2	d3	d4	k ± 0.1	l1	l2 \approx	l3	s	g
GN 612.1-M12x1.5-A-NI	M12x1.5	32	M5	4.5	21	22	26.5	9	12	40
GN 612.1-M12x1.5-B-NI	M12x1.5	32	M5	4.5	21	22	26.5	9	12	45
GN 612.1-M16x1.5-A-NI	M16x1.5	46	M8	5.5	32	33	37	13	15	60
GN 612.1-M16x1.5-B-NI	M16x1.5	46	M8	5.5	32	33	37	13	15	70
GN 612.1-M20x1.5-A-NI	M20x1.5	46	M8	5.5	32	33	37	13	15	90
GN 612.1-M20x1.5-B-NI	M20x1.5	46	M8	5.5	32	33	37	13	15	95