

Lever indexing plungers with rest position

RoHS

- **Threaded body**

Black-oxide steel.

- **Plunger**

Fine turned and nitrided steel. Suggested matching hole in H7 tolerance.

- **Locking nut**

Black-oxide steel.

- **Lever**

Black-oxide steel.

- **Lever cover**

High resilience polyamide based (PA) technopolymer, black colour, matte finish. Resistant to solvents, oils, greases and other chemical agents.

- **Standard versions available**

- Type **A**: without lever cover, without locking nut.
- Type **AK**: without lever cover, with locking nut, ISO 8675.
- Type **B**: with lever cover, without locking nut.
- Type **BK**: with lever cover, with locking nut, ISO 8675.

Accessories on request (For sufficient quantities)

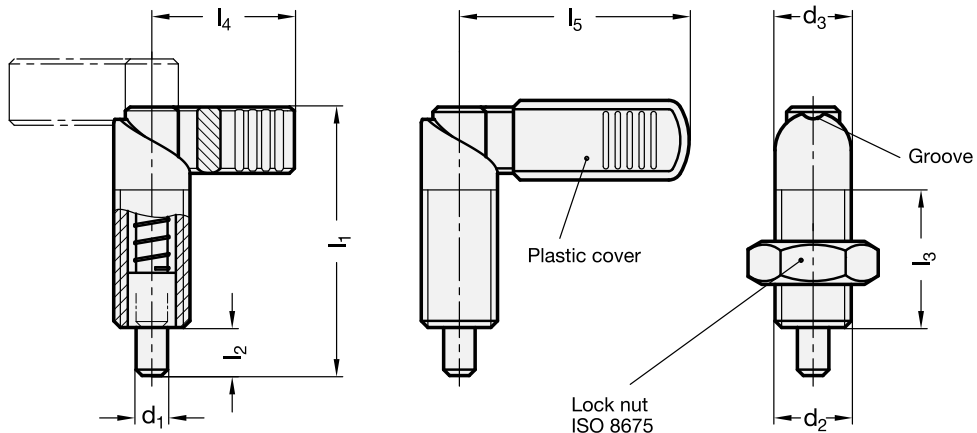
GN 612.1 black-oxide steel flange is available to assembly the plunger to the machine.

Features and applications

GN 612 lever indexing plungers are used when the plunger must be retracted quickly.

Instructions of use

By rotating the lifting lever by 180°, the plunger stops in the retracted position. The lever is kept in this position by a notch.



Standard Elements	Main dimensions								Spring pressure		$\Delta \triangle$
Description	d1 ^{-0.02} -0.04	d2	d3	l1	l2	l3 +1.5	l4	l5	Preload in N \approx	Max. load in N \approx	g
GN 612-4-M10-A	4	M10	10	37.5	6	19	21	-	8.5	25	20
GN 612-5-M10-A	5	M10	10	37.5	6	19	21	-	8.5	25	30
GN 612-5-M12-A	5	M12	12	47	8	26	26	-	9	21	28
GN 612-6-M10-A	6	M10	10	37.5	6	19	21	-	8.5	25	20
GN 612-6-M12-A	6	M12	12	47	8	26	26	-	9	21	30
GN 612-6-M16-A	6	M16	16	56	10	30	32	-	12	32	57
GN 612-8-M12-A	8	M12	12	47	8	26	26	-	9	21	40
GN 612-8-M16-A	8	M16	16	56	10	30	32	-	12	32	30
GN 612-8-M20-A	8	M20	20	69	12	36	37	-	21	58	60
GN 612-10-M16-A	10	M16	16	56	10	30	32	-	12	32	65
GN 612-10-M20-A	10	M20	20	69	12	36	37	-	21	58	120
GN 612-12-M20-A	12	M20	20	69	12	36	37	-	21	58	120
GN 612-4-M10-AK	4	M10	10	37.5	6	19	21	-	8.5	25	22
GN 612-5-M10-AK	5	M10	10	37.5	6	19	21	-	8.5	25	20
GN 612-5-M12-AK	5	M12	12	47	8	26	26	-	9	21	36
GN 612-6-M10-AK	6	M10	10	37.5	6	19	21	-	8.5	25	37
GN 612-6-M12-AK	6	M12	12	47	8	26	26	-	9	21	42
GN 612-6-M16-AK	6	M16	16	56	10	30	32	-	12	32	50
GN 612-8-M12-AK	8	M12	12	47	8	26	26	-	9	21	65
GN 612-8-M16-AK	8	M16	16	56	10	30	32	-	12	32	76
GN 612-8-M20-AK	8	M20	20	69	12	36	37	-	21	58	79
GN 612-10-M16-AK	10	M16	16	56	10	30	32	-	12	32	80
GN 612-10-M20-AK	10	M20	20	69	12	36	37	-	21	58	119
GN 612-12-M20-AK	12	M20	20	69	12	36	37	-	21	58	155
GN 612-5-M12-B	5	M12	12	47	8	26	-	32	9	21	20
GN 612-6-M12-B	6	M12	12	47	8	26	-	32	9	21	29
GN 612-6-M16-B	6	M16	16	56	10	30	-	42	12	32	30
GN 612-8-M12-B	8	M12	12	47	8	26	-	32	9	21	39
GN 612-8-M16-B	8	M16	16	56	10	30	-	42	12	32	60
GN 612-8-M20-B	8	M20	20	69	12	36	-	52	21	58	120
GN 612-10-M16-B	10	M16	16	56	10	30	-	42	12	32	63
GN 612-10-M20-B	10	M20	20	69	12	36	-	52	21	58	120
GN 612-12-M20-B	12	M20	20	69	12	36	-	52	21	58	120
GN 612-5-M12-BK	5	M12	12	47	8	26	-	32	9	21	36
GN 612-6-M12-BK	6	M12	12	47	8	26	-	32	9	21	37
GN 612-6-M16-BK	6	M16	16	56	10	30	-	42	12	32	78
GN 612-8-M12-BK	8	M12	12	47	8	26	-	32	9	21	38
GN 612-8-M16-BK	8	M16	16	56	10	30	-	42	12	32	78
GN 612-8-M20-BK	8	M20	20	69	12	36	-	52	21	58	150
GN 612-10-M16-BK	10	M16	16	56	10	30	-	42	12	32	81
GN 612-10-M20-BK	10	M20	20	69	12	36	-	52	21	58	153
GN 612-12-M20-BK	12	M20	20	69	12	36	-	52	21	58	156

Standard Elements	Main dimensions								Spring pressure		\triangle
Description	d1 ^{-0.02} -0.04	d2	d3	l1	l2	l3 +1.5	l4	l5	Preload in N \approx	Max. load in N \approx	g
GN 612-4-M10x1-A	4	M10x1	10	37.5	6	19	21	-	8.5	25	20
GN 612-5-M10x1-A	5	M10x1	10	37.5	6	19	21	-	8.5	25	30
GN 612-5-M12x1.5-A	5	M12x1.5	12	47	8	26	26	-	9	21	28
GN 612-6-M10x1-A	6	M10x1	10	37.5	6	19	21	-	8.5	25	20
GN 612-6-M12x1.5-A	6	M12x1.5	12	47	8	26	26	-	9	21	30
GN 612-6-M16x1.5-A	6	M16x1.5	16	56	10	30	32	-	12	32	59
GN 612-8-M12x1.5-A	8	M12x1.5	12	47	8	26	26	-	9	21	30
GN 612-8-M16x1.5-A	8	M16x1.5	16	56	10	30	32	-	12	32	61
GN 612-8-M20x1.5-A	8	M20x1.5	20	69	12	36	37	-	21	58	125
GN 612-10-M16x1.5-A	10	M16x1.5	16	56	10	30	32	-	12	32	64
GN 612-10-M20x1.5-A	10	M20x1.5	20	69	12	36	37	-	21	58	93
GN 612-12-M20x1.5-A	12	M20x1.5	20	69	12	36	37	-	21	58	119
GN 612-4-M10x1-AK	4	M10x1	10	37.5	6	19	21	-	8.5	25	20
GN 612-5-M10x1-AK	5	M10x1	10	37.5	6	19	21	-	8.5	25	20
GN 612-5-M12x1.5-AK	5	M12x1.5	12	47	8	26	26	-	9	21	37
GN 612-5-M10x1-AK	5	M10x1	10	37.5	6	19	21	-	8.5	25	40
GN 612-6-M12x1.5-AK	6	M12x1.5	12	47	8	26	26	-	9	21	42
GN 612-6-M16x1.5-AK	6	M16x1.5	16	56	10	30	32	-	12	32	79
GN 612-8-M12x1.5-AK	8	M12x1.5	12	47	8	26	26	-	9	21	85
GN 612-8-M16x1.5-AK	8	M16x1.5	16	56	10	30	32	-	12	32	92
GN 612-8-M20x1.5-AK	8	M20x1.5	20	69	12	36	37	-	21	58	120
GN 612-10-M16x1.5-AK	10	M16x1.5	16	56	10	30	32	-	12	32	132
GN 612-10-M20x1.5-AK	10	M20x1.5	20	69	12	36	37	-	21	58	149
GN 612-12-M20x1.5-AK	12	M20x1.5	20	69	12	36	37	-	21	58	154
GN 612-5-M12x1.5-B	5	M12x1.5	12	47	8	26	-	32	9	21	28
GN 612-6-M12x1.5-B	6	M12x1.5	12	47	8	26	-	32	9	21	61
GN 612-6-M16x1.5-B	6	M16x1.5	16	56	10	30	-	42	12	32	101
GN 612-8-M12x1.5-B	8	M12x1.5	12	47	8	26	-	32	9	21	30
GN 612-8-M16x1.5-B	8	M16x1.5	16	56	10	30	-	42	12	32	63
GN 612-8-M20x1.5-B	8	M20x1.5	20	69	12	36	-	52	21	58	113
GN 612-10-M16x1.5-B	10	M16x1.5	16	56	10	30	-	42	12	32	66
GN 612-10-M20x1.5-B	10	M20x1.5	20	69	12	36	-	52	21	58	116
GN 612-12-M20x1.5-B	12	M20x1.5	20	69	12	36	-	52	21	58	122
GN 612-5-M12x1.5-BK	5	M12x1.5	12	26	8	26	-	32	9	21	35
GN 612-6-M12x1.5-BK	6	M12x1.5	12	26	8	26	-	32	9	21	41
GN 612-6-M16x1.5-BK	6	M16x1.5	16	30	10	30	-	42	12	32	63
GN 612-8-M12x1.5-BK	8	M12x1.5	12	26	8	26	-	32	9	21	79
GN 612-8-M16x1.5-BK	8	M16x1.5	16	30	10	30	-	42	12	32	81
GN 612-8-M20x1.5-BK	8	M20x1.5	20	36	12	36	-	52	21	58	109
GN 612-10-M16x1.5-BK	10	M16x1.5	16	30	10	30	-	42	12	32	148
GN 612-10-M20x1.5-BK	10	M20x1.5	20	36	12	36	-	52	21	58	151
GN 612-12-M20x1.5-BK	12	M20x1.5	20	36	12	36	-	52	21	58	157