

GN 607.5

Indexing plungers

RoHS

- **Body**
Black-oxide steel.
- **Plunger**
Black-oxide steel, hardened.
Suggested matching hole with tolerance +0.03 / +0.25.
- **Knob**
High resilience polyamide based (PA) technopolymer, black colour, matte finish, not removable. Resistant to solvents, oils, greases and other chemical agents.

Features and applications

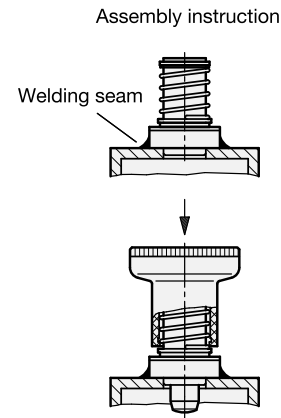
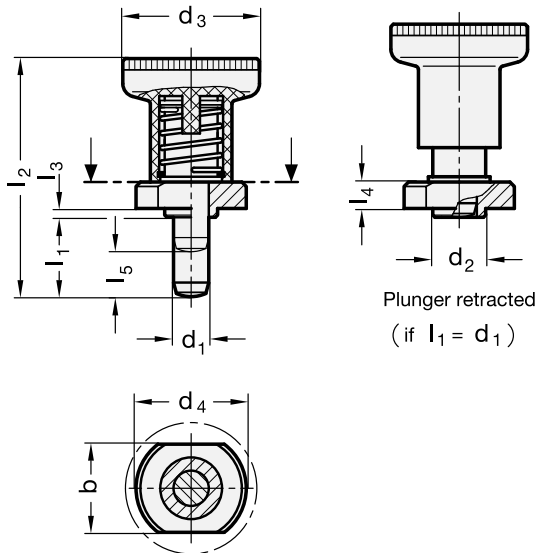
Indexing plungers GN 607.5 with rest position are used in cases where the indexing pin is temporarily not allowed to protrude. After pulling out, the knob is turned by 90°.

An indexing notch prevents the disengaged knob accidentally or through shock impact turning back.

The GN 607.5 indexing plungers are intended for welded fixing, in particular for use in steel square tubings.

The lug d_2 is intended for positioning.

The plastic knob with the in-moulded indexing pin is driven on after the welding process.



To prevent damage of the plastic knob, it will be driven onto the shaft using a plastic mallet, after the welding process.

Standard Elements	Main dimensions											Spring pressure in N \approx		Axial holding force in N	Δ g
	Description	d_1 <small>-0.02 -0.04</small>	l_1	b	d_2 <small>-0.02 -0.1</small>	d_3	d_4	l_2	l_3	l_4	l_5	Preload	Max. load		
GN 607.5-6-6-ST	6	6	18	10	25	22	37	1.5	5.5	6	8.5	22	400	40	
GN 607.5-6-14-ST	6	14	18	10	25	22	45	1.5	5.5	6	8.5	22	400	36	
GN 607.5-8-8-ST	8	8	20	12	31	25	44	2	6.5	8	15.5	28	500	54	
GN 607.5-8-18-ST	8	18	20	12	31	25	54	2	6.5	8	15.5	28	500	59	