

GN 514

Locking plungers



- **Threaded body**
Black-oxide steel, nitrided.
- **Plunger**
Black-oxide steel, nitrided. Suggested matching hole in H7 tolerance.
- **Locking nut**
Black-oxide steel.
- **“Push / Push” knob**
High impact strength polyamide based (PA) technopolymer, black colour, matte finish. Resistant to solvents, oils, greases and other chemical agents.
- **Standard versions available**
 - Type **A**: without locking nut.
 - Type **AK**: with locking nut, ISO 8675.



Features and applications

The plungers in the locking plungers GN 514 is moved via a so-called cardioid mechanism.

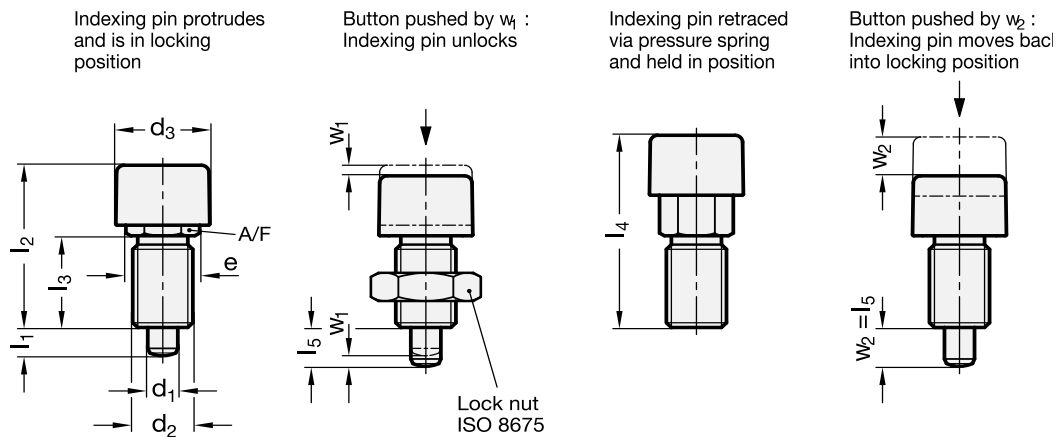
This mechanism means that the indexing pin is both extended and retracted alone by pressing the operating button (PUSH-PUSH locking mechanism).

Please note that the indexing pin cannot absorb any axial forces and that it retracts virtually by spring action; the indexing pin must therefore remain free and easy to move. Installation can also be made with distance bushings instead of the counter nut.

8

304

Indexing elements



Standard Elements	Main dimensions												Spring pressure in N \approx		g
	Description	$d1_{-0.02/-0.05}$	$d2$	$d3$	e	$l1$	$l2$	$l3$	$l4$	$l5$	A/F	$w1$	$w2$	Preload	
GN 514-6-A	6	M12x1.5	19	15	6	38	20	44.5	9	13	3	9	20	30	40
GN 514-8-A	8	M16x1.5	25	19	8	46	26	54.5	11	17	3	11	40	65	80
GN 514-6-AK	6	M12x1.5	19	15	6	38	20	44.5	9	13	3	9	20	30	50
GN 514-8-AK	8	M16x1.5	25	19	8	46	26	54.5	11	17	3	11	40	65	85