

GN 313

Spring bolts



Threaded body

Black-oxide steel.

Plunger

AISI 303 stainless steel, chemically nickel-plated. Suggested matching hole in H7 tolerance.

"Push/Pull" knurled knob

High resilience polyamide based (PA) technopolymer, black colour, matte finish. Resistant to solvents, oils, greases and other chemical agents.

Standard versions available

- Type **A**: with knob, without lock nut.
- Type **AK**: with knob, with lock nut.
- Type **D**: without knob, without lock nut.
- Type **DK**: without knob, with lock nut.

Versions

- Identification no. **1**: Plunger without internal thread.
- Identification no. **2**: Plunger with internal thread.



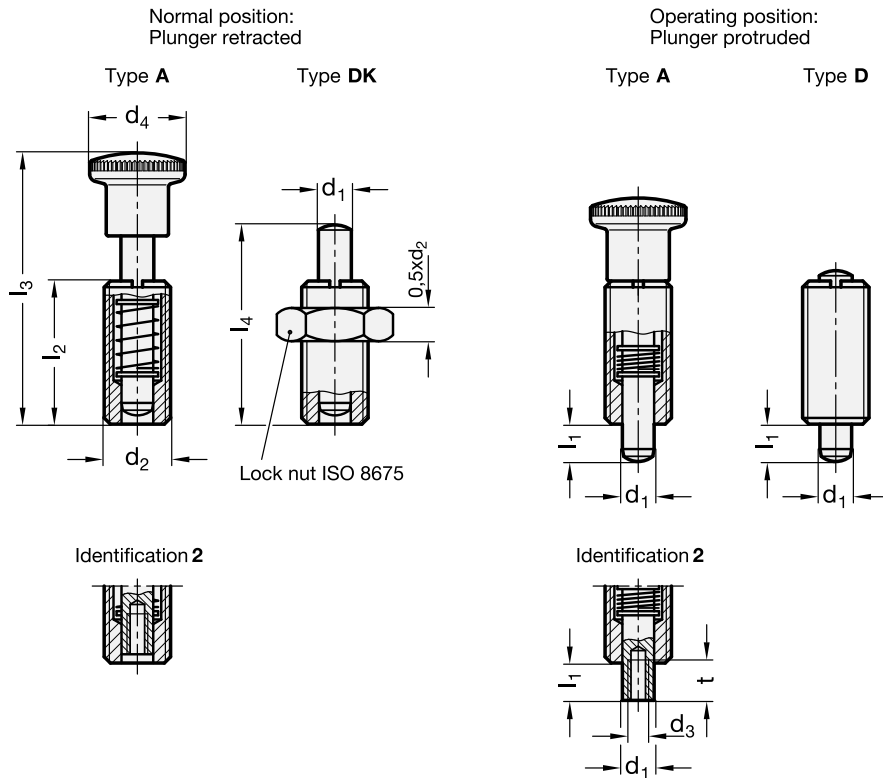
Features and applications


The plunger of the spring bolts GN 313 does not protrude in the in operative position.

It can be operated manually or in Type D and DK mechanically (pneumatic cylinder, cam plate, etc.) when it will protrude only as long as it is operated. Using the internal thread at identification no. 2 on the pressure side, special pressure bolts or a rod arrangement can be operated, for instance.

8
290

Indexing elements



Standard Elements	Main dimensions									Spring pressure		
Description	^{-0.02} d1 -0.04	d2	d3	d4	l1 ≈	l2	l3 ≈	l4 ≈	t min.	Preload in N	Max. load in N	g
GN 313-6-A-1-ST	6	M12x1.5	-	28	7	26	49	-	-	9	28	18
GN 313-6-A-2-ST	6	M12x1.5	M4	28	7	26	49	-	7	9	28	20
GN 313-8-A-1-ST	8	M16x1.5	-	23	7	34	65	-	-	12	40	47
GN 313-8-A-2-ST	8	M16x1.5	M5	23	9	34	65	-	9	12	40	48
GN 313-10-A-1-ST	10	M20x1.5	-	19	11	43	78	-	-	22	50	70
GN 313-10-A-2-ST	10	M20x1.5	M6	19	11	43	78	-	12	22	50	75
GN 313-6-AK-1-ST	6	M12x1.5	-	28	7	26	49	-	-	9	28	20
GN 313-6-AK-2-ST	6	M12x1.5	M4	28	7	26	49	-	7	9	28	20
GN 313-8-AK-1-ST	8	M16x1.5	-	23	9	34	65	-	-	12	40	66
GN 313-8-AK-2-ST	8	M16x1.5	M5	23	9	34	65	-	9	12	40	67
GN 313-10-AK-1-ST	10	M20x1.5	-	19	11	43	78	-	-	22	50	78
GN 313-10-AK-2-ST	10	M20x1.5	M6	19	11	43	78	-	12	22	50	80
GN 313-6-D-1-ST	6	M12x1.5	-	-	7	26	-	35	-	9	28	22
GN 313-6-D-2-ST	6	M12x1.5	M4	-	7	26	-	35	7	9	28	22
GN 313-8-D-1-ST	8	M16x1.5	-	-	9	34	-	48	-	12	40	43
GN 313-8-D-2-ST	8	M16x1.5	M5	-	9	34	-	48	9	12	40	43
GN 313-10-D-1-ST	10	M20x1.5	-	-	11	43	-	57	-	22	50	83
GN 313-10-D-2-ST	10	M20x1.5	M6	-	11	43	-	57	12	22	50	83
GN 313-6-DK-1-ST	6	M12x1.5	-	-	7	26	-	35	-	9	28	25
GN 313-6-DK-2-ST	6	M12x1.5	M4	-	7	26	-	35	7	9	28	30
GN 313-8-DK-1-ST	8	M16x1.5	-	-	9	34	-	48	-	12	40	45
GN 313-8-DK-2-ST	8	M16x1.5	M5	-	9	34	-	48	9	12	40	50
GN 313-10-DK-1-ST	10	M20x1.5	-	-	11	43	-	57	-	22	50	85
GN 313-10-DK-2-ST	10	M20x1.5	M6	-	11	43	-	57	12	22	50	85