

Adjustable handles

RoHS

- **Lever body**
Zinc alloy die-cast, epoxy resin coating.
- **Colour**
RAL 9005 **SW**, black matte finish.
- **Push button**
 - Version **S**: RAL 9006 black matte finish.
 - Version **O**: RAL 2004 orange.
 - Version **G**: RAL 3035 grey.
- **Clamping element**
AISI 305 stainless steel threaded insert.
- **Pin for push button**
Stainless steel.



Special executions on request (For sufficient quantities)

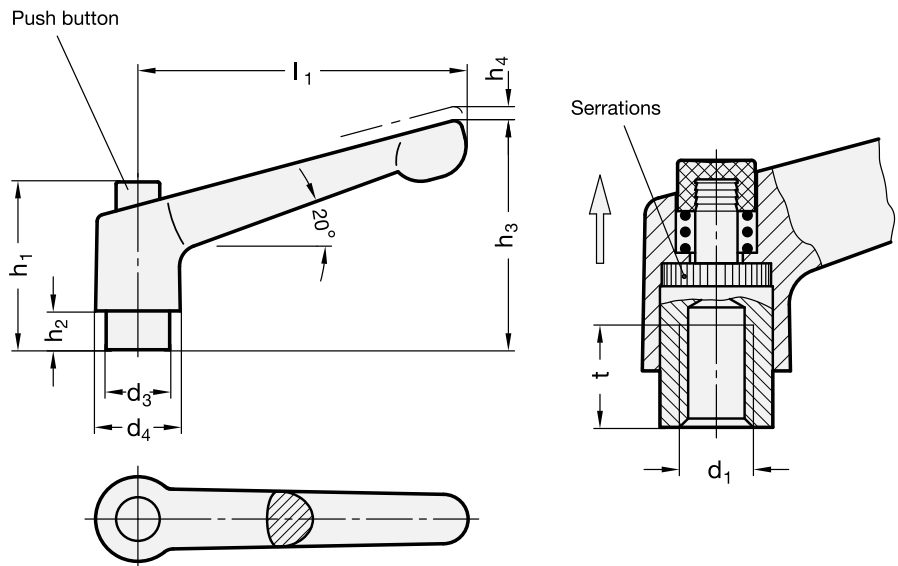
- Lever body in different colours.
- Chrome-plated lever.

Features and applications

Particularly suitable when the lever turning angle is limited owing to lack of space.

Instructions of use

Adjustable Hand levers GN 303.1 are ideal whenever parts have to be clamped in a confined space or in a particular lever position. The centre insert is connected to the lever via serrations which can easily be disengaged. The push button is a design element that offers an easy disengagement. Its use is limited to applications where dismantling of the lever for installation is not required.



Standard Elements	Main dimensions							Mounting hole		△△
	Description	l ₁	d ₃	d ₄	h ₁	h ₂	h ₃	h ₄ Stroke	d ₁	
GN 303.1-30-M3-SW.*	30	10	13	26.5	4	31	3.5	M3	7	26
GN 303.1-30-M4-SW.*	30	10	13	26.5	4	31	3.5	M4	9	25
GN 303.1-30-M5-SW.*	30	10	13	26.5	4	31	3.5	M5	9	24
GN 303.1-30-M6-SW.*	30	10	13	26.5	4	31	3.5	M6	9	24
GN 303.1-45-M4-SW.*	45	10	13	26.5	4	35	3.5	M4	9	35
GN 303.1-45-M5-SW.*	45	10	13	26.5	4	35	3.5	M5	9	35
GN 303.1-45-M6-SW.*	45	10	13	26.5	4	35	3.5	M6	9	33
GN 303.1-63-M6-SW.*	63	13.5	17.5	32.5	6.5	45	4	M6	11	76
GN 303.1-63-M8-SW.*	63	13.5	17.5	32.5	6.5	45	4	M8	11	74
GN 303.1-78-M8-SW.*	78	16	21	37.5	8	55	4	M8	14	123
GN 303.1-78-M10-SW.*	78	16	21	37.5	8	55	4	M10	14	119

* Complete the description of the standard item by adding the index of the colour of the push button: S (black), O (orange) or G (grey).