

## Adjustable handles



- **Lever body**  
Zinc alloy die-cast, epoxy resin coating.
- **Colour**  
RAL 9005 **SW**, black matte finish.
- **Push button**
  - Version **S**: RAL 9006 black matte finish.
  - Version **O**: RAL 2004 orange.
  - Version **G**: RAL 3035 grey.
- **Clamping element**  
AISI 305 stainless steel threaded insert.
- **Pin for push button**  
Stainless steel.

### Special executions on request (For sufficient quantities)

- Lever body in different colours.
- Chrome-plated lever.

### Features and applications

Particularly suitable when the lever turning angle is limited owing to lack of space.

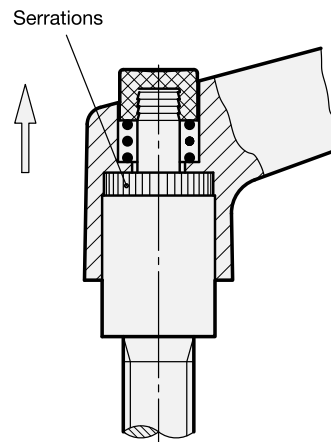
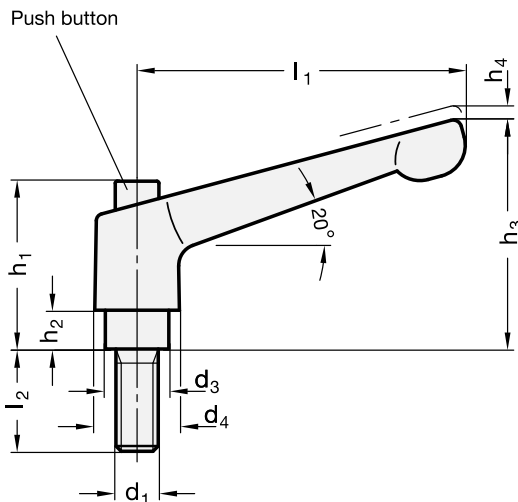
### Instructions of use

Adjustable Hand levers GN 303.1 are ideal whenever parts have to be clamped in a confined space or in a particular lever position. The centre insert is connected to the lever via serrations which can easily be disengaged. The push button is a design element that offers an easy disengagement. Its use is limited to applications where dismantling of the lever for installation is not required.

3

138

Clamping levers



Standard Elements	Main dimensions							Thread		△△
	Description	h1	d3	d4	h1	h2	h3	h4	d1	
GN 303.1-30-M3-6-SW-*	30	10	13	26.5	4	31	3.5	M3	6	26
GN 303.1-30-M3-8-SW-*	30	10	13	26.5	4	31	3.5	M3	8	26
GN 303.1-30-M3-10-SW-*	30	10	13	26.5	4	31	3.5	M3	10	27
GN 303.1-30-M3-12-SW-*	30	10	13	26.5	4	31	3.5	M3	12	27
GN 303.1-30-M3-16-SW-*	30	10	13	26.5	4	31	3.5	M3	16	28
GN 303.1-30-M4-12-SW-*	30	10	13	26.5	4	31	3.5	M4	12	28
GN 303.1-30-M4-16-SW-*	30	10	13	26.5	4	31	3.5	M4	16	29
GN 303.1-30-M4-20-SW-*	30	10	13	26.5	4	31	3.5	M4	20	29
GN 303.1-30-M4-25-SW-*	30	10	13	26.5	4	31	3.5	M4	25	30
GN 303.1-30-M4-32-SW-*	30	10	13	26.5	4	31	3.5	M4	32	31
GN 303.1-30-M5-12-SW-*	30	10	13	26.5	4	31	3.5	M5	12	30
GN 303.1-30-M5-16-SW-*	30	10	13	26.5	4	31	3.5	M5	16	31
GN 303.1-30-M5-20-SW-*	30	10	13	26.5	4	31	3.5	M5	20	32
GN 303.1-30-M5-25-SW-*	30	10	13	26.5	4	31	3.5	M5	25	33
GN 303.1-30-M5-32-SW-*	30	10	13	26.5	4	31	3.5	M5	32	35
GN 303.1-30-M5-40-SW-*	30	10	13	26.5	4	31	3.5	M5	40	37
GN 303.1-30-M5-50-SW-*	30	10	13	26.5	4	31	3.5	M5	50	40
GN 303.1-30-M6-12-SW-*	30	10	13	26.5	4	31	3.5	M6	12	31
GN 303.1-30-M6-16-SW-*	30	10	13	26.5	4	31	3.5	M6	16	32
GN 303.1-30-M6-20-SW-*	30	10	13	26.5	4	31	3.5	M6	20	33
GN 303.1-30-M6-25-SW-*	30	10	13	26.5	4	31	3.5	M6	25	35
GN 303.1-30-M6-32-SW-*	30	10	13	26.5	4	31	3.5	M6	32	38
GN 303.1-30-M6-40-SW-*	30	10	13	26.5	4	31	3.5	M6	40	42
GN 303.1-30-M6-50-SW-*	30	10	13	26.5	4	31	3.5	M6	50	45
GN 303.1-45-M4-12-SW-*	45	10	13	26.5	4	35	3.5	M4	12	34
GN 303.1-45-M4-16-SW-*	45	10	13	26.5	4	35	3.5	M4	16	35
GN 303.1-45-M4-20-SW-*	45	10	13	26.5	4	35	3.5	M4	20	35
GN 303.1-45-M4-25-SW-*	45	10	13	26.5	4	35	3.5	M4	25	37
GN 303.1-45-M4-32-SW-*	45	10	13	26.5	4	35	3.5	M4	32	38
GN 303.1-45-M5-12-SW-*	45	10	13	26.5	4	35	3.5	M5	12	35
GN 303.1-45-M5-16-SW-*	45	10	13	26.5	4	35	3.5	M5	16	36
GN 303.1-45-M5-20-SW-*	45	10	13	26.5	4	35	3.5	M5	20	37
GN 303.1-45-M5-25-SW-*	45	10	13	26.5	4	35	3.5	M5	25	37
GN 303.1-45-M5-32-SW-*	45	10	13	26.5	4	35	3.5	M5	32	38
GN 303.1-45-M5-40-SW-*	45	10	13	26.5	4	35	3.5	M5	40	39
GN 303.1-45-M5-50-SW-*	45	10	13	26.5	4	35	3.5	M5	50	43
GN 303.1-45-M6-12-SW-*	45	10	13	26.5	4	35	3.5	M6	12	36
GN 303.1-45-M6-16-SW-*	45	10	13	26.5	4	35	3.5	M6	16	37
GN 303.1-45-M6-20-SW-*	45	10	13	26.5	4	35	3.5	M6	20	37
GN 303.1-45-M6-25-SW-*	45	10	13	26.5	4	35	3.5	M6	25	38
GN 303.1-45-M6-32-SW-*	45	10	13	26.5	4	35	3.5	M6	32	40
GN 303.1-45-M6-40-SW-*	45	10	13	26.5	4	35	3.5	M6	40	41
GN 303.1-45-M6-50-SW-*	45	10	13	26.5	4	35	3.5	M6	50	41

\* Complete the description of the standard item by adding the index of the colour of the push button: S (black), O (orange) or G (grey).

Standard Elements	Main dimensions							Thread		$\triangle$
Description	l <sub>1</sub>	d <sub>3</sub>	d <sub>4</sub>	h <sub>1</sub>	h <sub>2</sub>	h <sub>3</sub>	h <sub>4</sub>	d <sub>1</sub>	l <sub>2</sub>	g
GN 303.1-63-M6-12-SW-*	63	13.5	17.5	32.5	6.5	45	4	M6	12	95
GN 303.1-63-M6-16-SW-*	63	13.5	17.5	32.5	6.5	45	4	M6	16	97
GN 303.1-63-M6-20-SW-*	63	13.5	17.5	32.5	6.5	45	4	M6	20	98
GN 303.1-63-M6-25-SW-*	63	13.5	17.5	32.5	6.5	45	4	M6	25	100
GN 303.1-63-M6-32-SW-*	63	13.5	17.5	32.5	6.5	45	4	M6	32	102
GN 303.1-63-M6-40-SW-*	63	13.5	17.5	32.5	6.5	45	4	M6	40	105
GN 303.1-63-M6-50-SW-*	63	13.5	17.5	32.5	6.5	45	4	M6	50	100
GN 303.1-63-M6-63-SW-*	63	13.5	17.5	32.5	6.5	45	4	M6	63	102
GN 303.1-63-M8-12-SW-*	63	13.5	17.5	32.5	6.5	45	4	M8	12	95
GN 303.1-63-M8-16-SW-*	63	13.5	17.5	32.5	6.5	45	4	M8	16	97
GN 303.1-63-M8-20-SW-*	63	13.5	17.5	32.5	6.5	45	4	M8	20	98
GN 303.1-63-M8-25-SW-*	63	13.5	17.5	32.5	6.5	45	4	M8	25	100
GN 303.1-63-M8-32-SW-*	63	13.5	17.5	32.5	6.5	45	4	M8	32	102
GN 303.1-63-M8-40-SW-*	63	13.5	17.5	32.5	6.5	45	4	M8	40	105
GN 303.1-63-M8-50-SW-*	63	13.5	17.5	32.5	6.5	45	4	M8	50	107
GN 303.1-63-M8-63-SW-*	63	13.5	17.5	32.5	6.5	45	4	M8	63	112
GN 303.1-63-M10-20-SW-*	63	13.5	17.5	32.5	6.5	45	4	M10	20	115
GN 303.1-63-M10-25-SW-*	63	13.5	17.5	32.5	6.5	45	4	M10	25	117
GN 303.1-63-M10-32-SW-*	63	13.5	17.5	32.5	6.5	45	4	M10	32	120
GN 303.1-63-M10-40-SW-*	63	13.5	17.5	32.5	6.5	45	4	M10	40	122
GN 303.1-63-M10-50-SW-*	63	13.5	17.5	32.5	6.5	45	4	M10	50	125
GN 303.1-63-M10-63-SW-*	63	13.5	17.5	32.5	6.5	45	4	M10	63	128
GN 303.1-78-M8-20-SW-*	78	16	21	37.5	8	55	4	M8	20	155
GN 303.1-78-M8-25-SW-*	78	16	21	37.5	8	55	4	M8	25	157
GN 303.1-78-M8-32-SW-*	78	16	21	37.5	8	55	4	M8	32	158
GN 303.1-78-M8-40-SW-*	78	16	21	37.5	8	55	4	M8	40	162
GN 303.1-78-M8-50-SW-*	78	16	21	37.5	8	55	4	M8	50	167
GN 303.1-78-M8-63-SW-*	78	16	21	37.5	8	55	4	M8	63	174
GN 303.1-78-M8-80-SW-*	78	16	21	37.5	8	55	4	M8	80	181
GN 303.1-78-M10-20-SW-*	78	16	21	37.5	8	55	4	M10	20	163
GN 303.1-78-M10-25-SW-*	78	16	21	37.5	8	55	4	M10	25	165
GN 303.1-78-M10-32-SW-*	78	16	21	37.5	8	55	4	M10	32	166
GN 303.1-78-M10-40-SW-*	78	16	21	37.5	8	55	4	M10	40	170
GN 303.1-78-M10-50-SW-*	78	16	21	37.5	8	55	4	M10	50	176
GN 303.1-78-M10-63-SW-*	78	16	21	37.5	8	55	4	M10	63	183
GN 303.1-78-M10-80-SW-*	78	16	21	37.5	8	55	4	M10	80	190

\* Complete the description of the standard item by adding the index of the colour of the push button: S (black), O (orange) or G (grey).