

GN 303

Adjustable handles



- **Lever body**
Zinc alloy die-cast.
- **Colour**
RAL 9005 **SW**, black matte finish.
- **Push button**
 - Version **S**: RAL 9006 black matte finish.
 - Version **O**: RAL 2004 orange.
 - Version **G**: RAL 3035 grey.
- **Clamping element**
Black-oxide steel with threaded hole and toothed element for coupling to the lever body, treated steel retaining screw and return spring.
- **Pin for push button**
Stainless steel.

Special executions on request (For sufficient quantities)

- Lever body in different colours.
- Chrome-plated lever.

Features and applications

Particularly suitable when the lever turning angle is limited owing to lack of space.

Instructions of use

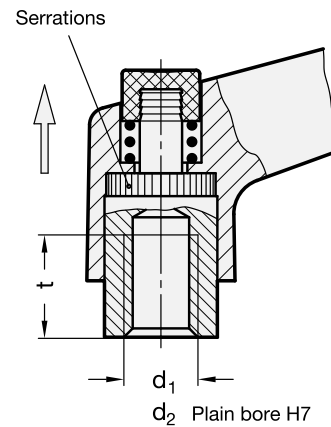
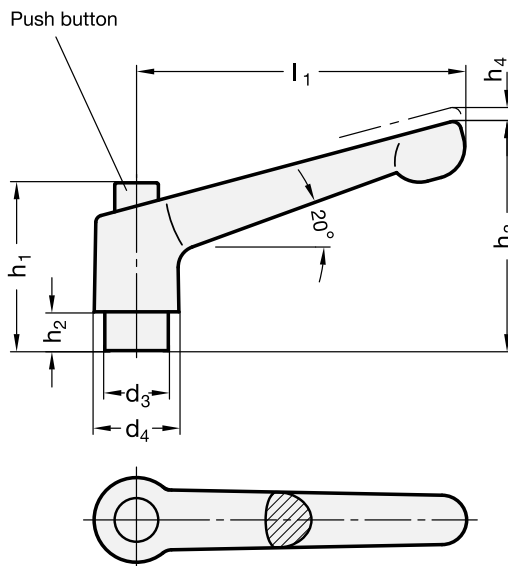
Adjustable Hand levers GN 303 are ideal whenever parts have to be clamped in a confined space or in a particular lever position. The centre insert is connected to the lever via serrations which can easily be disengaged. The push button is a design element that offers an easy disengagement. Its use is limited to applications where dismantling of the lever for installation is not required.




3

132

Clamping levers



Standard Elements	Main dimensions							Mounting hole			
Description	h1	d3	d4	h1	h2	h3	h4	d1	d2 H7	t _{min.}	g
GN 303-30-M3-SW*	30	10	13	26.5	4	31	3.5	M3	-	7	25
GN 303-30-M4-SW*	30	10	13	26.5	4	31	3.5	M4	-	9	25
GN 303-30-M5-SW*	30	10	13	26.5	4	31	3.5	M5	-	9	25
GN 303-30-B5-SW*	30	10	13	26.5	4	31	3.5	-	B5	9	30
GN 303-30-M6-SW*	30	10	13	26.5	4	31	3.5	M6	-	9	30
GN 303-30-B6-SW*	30	10	13	26.5	4	31	3.5	-	B6	9	35
GN 303-45-M4-SW*	45	10	13	26.5	4	35	3.5	M4	-	9	40
GN 303-45-M5-SW*	45	10	13	26.5	4	35	3.5	M5	-	9	40
GN 303-45-B5-SW*	45	10	13	26.5	4	35	3.5	-	B5	9	45
GN 303-45-M6-SW*	45	10	13	26.5	4	35	3.5	M6	-	9	45
GN 303-45-B6-SW*	45	10	13	26.5	4	35	3.5	-	B6	9	50
GN 303-63-M6-SW*	63	13.5	17.5	32.5	6.5	45	4	M6	-	11	65
GN 303-63-M8-SW*	63	13.5	17.5	32.5	6.5	45	4	M8	-	11	80
GN 303-63-B8-SW*	63	13.5	17.5	32.5	6.5	45	4	-	B8	11	90
GN 303-78-M8-SW*	78	16	21	37.5	8	55	4	M8	-	14	95
GN 303-78-B8-SW*	78	16	21	37.5	8	55	4	-	B8	14	100
GN 303-78-M10-SW*	78	16	21	37.5	8	55	4	M10	-	14	120
GN 303-78-B10-SW*	78	16	21	37.5	8	55	4	-	B10	14	130

* Complete the description of the standard item by adding the index of the colour of the push button: S (black), O (orange) or G (grey).