

GN 302

EXTENDED RANGE

Adjustable handles

RoHS



- Lever body**

Zinc alloy die-cast.

- Colour**

RAL 9005 black **SW**, RAL 2004 orange **OR**, RAL 3000 red **RS**,
RAL 9006 silver **SR**, matte finish, epoxy resin coating.

- Clamping element**

Black-oxide steel with threaded stud and toothed element for coupling to the lever body, treated steel retaining screw and return spring.

Special executions on request (For sufficient quantities)

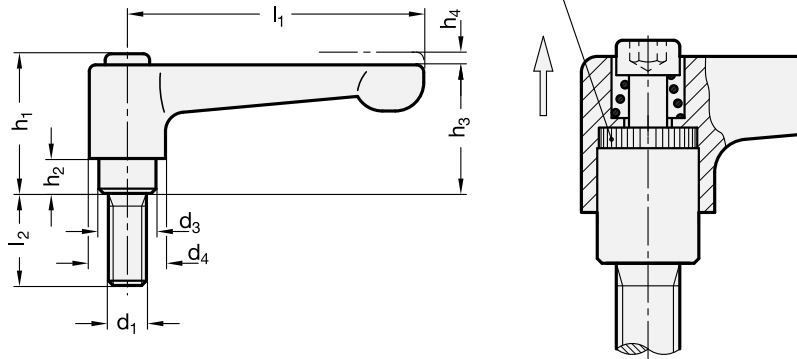
Adjustable handles GN 302.1 with stainless steel insert.

Features and applications

Particularly suitable when the lever turning angle is limited owing to lack of space. Adjustable hand levers GN 302 have a straight lever, not inclined, being parallel to the clamping space. For some applications this presents an advantage due for limits of space or for optical reasons.

Instructions of use

For clamping, lift the lever to disengage the clamping device toothing and bring it back to start position. By releasing the lever, the return spring automatically engages the toothing. If the lever cannot make a 360° rotation, the clamping element can be easily screwed by means of the hexagon socket front head screw (after having disengaged the lever).



3

130

Clamping levers

Standard Elements	Main dimensions							Thread		△△
	l ₁	h ₁	h ₂	h ₃	d ₃	d ₄	h ₄	d ₁	l ₂	
GN 302-30-M3-6-*	30	24.5	4	22	10	13	3.5	M3	6	27
GN 302-30-M3-8-*	30	24.5	4	22	10	13	3.5	M3	8	28
GN 302-30-M3-10-*	30	24.5	4	22	10	13	3.5	M3	10	28
GN 302-30-M3-12-*	30	24.5	4	22	10	13	3.5	M3	12	30
GN 302-30-M3-16-*	30	24.5	4	22	10	13	3.5	M3	16	30
GN 302-30-M4-12-*	30	24.5	4	22	10	13	3.5	M4	12	30
GN 302-30-M4-16-*	30	24.5	4	22	10	13	3.5	M4	16	30
GN 302-30-M4-20-*	30	24.5	4	22	10	13	3.5	M4	20	30
GN 302-30-M4-25-*	30	24.5	4	22	10	13	3.5	M4	25	30
GN 302-30-M4-32-*	30	24.5	4	22	10	13	3.5	M4	25	30
GN 302-45-M4-12-*	45	24.5	4	22	10	13	3.5	M4	12	36
GN 302-45-M4-16-*	45	24.5	4	22	10	13	3.5	M4	16	37
GN 302-45-M4-20-*	45	24.5	4	22	10	13	3.5	M4	20	37
GN 302-45-M4-25-*	45	24.5	4	22	10	13	3.5	M4	25	38
GN 302-45-M4-32-*	45	24.5	4	22	10	13	3.5	M4	32	39
GN 302-45-M5-12-*	45	24.5	4	22	10	13	3.5	M5	12	34
GN 302-45-M5-16-*	45	24.5	4	22	10	13	3.5	M5	16	34
GN 302-45-M5-20-*	45	24.5	4	22	10	13	3.5	M5	20	34
GN 302-45-M5-25-*	45	24.5	4	22	10	13	3.5	M5	25	35
GN 302-45-M5-32-*	45	24.5	4	22	10	13	3.5	M5	32	36
GN 302-45-M5-40-*	45	24.5	4	22	10	13	3.5	M5	40	37
GN 302-45-M5-50-*	45	24.5	4	22	10	13	3.5	M5	50	38

* Complete the description of the standard item by adding the index of the colour of the lever body: SW (black), OS (orange), RS (red) or SR (silver).

Standard Elements	Main dimensions							Thread		Δ
Description	l ₁	h ₁	h ₂	h ₃	d ₃	d ₄	h ₄	d ₁	l ₂	g
GN 302-45-M6-12*	45	24.5	4	22	10	13	3.5	M6	12	34
GN 302-45-M6-16*	45	24.5	4	22	10	13	3.5	M6	16	35
GN 302-45-M6-20*	45	24.5	4	22	10	13	3.5	M6	20	35
GN 302-45-M6-25*	45	24.5	4	22	10	13	3.5	M6	25	36
GN 302-45-M6-32*	45	24.5	4	22	10	13	3.5	M6	32	38
GN 302-45-M6-40*	45	24.5	4	22	10	13	3.5	M6	40	39
GN 302-45-M6-50*	45	24.5	4	22	10	13	3.5	M6	50	41
GN 302-63-M6-12*	63	31	6.5	28.5	13.5	17.5	4	M6	12	78
GN 302-63-M6-16*	63	31	6.5	28.5	13.5	17.5	4	M6	16	78
GN 302-63-M6-20*	63	31	6.5	28.5	13.5	17.5	4	M6	20	79
GN 302-63-M6-25*	63	31	6.5	28.5	13.5	17.5	4	M6	25	80
GN 302-63-M6-32*	63	31	6.5	28.5	13.5	17.5	4	M6	32	81
GN 302-63-M6-40*	63	31	6.5	28.5	13.5	17.5	4	M6	40	83
GN 302-63-M6-50*	63	31	6.5	28.5	13.5	17.5	4	M6	50	84
GN 302-63-M6-63*	63	31	6.5	28.5	13.5	17.5	4	M6	63	86
GN 302-63-M8-12*	63	31	6.5	28.5	13.5	17.5	4	M8	12	80
GN 302-63-M8-16*	63	31	6.5	28.5	13.5	17.5	4	M8	16	81
GN 302-63-M8-20*	63	31	6.5	28.5	13.5	17.5	4	M8	20	82
GN 302-63-M8-25*	63	31	6.5	28.5	13.5	17.5	4	M8	25	84
GN 302-63-M8-32*	63	31	6.5	28.5	13.5	17.5	4	M8	32	86
GN 302-63-M8-40*	63	31	6.5	28.5	13.5	17.5	4	M8	40	89
GN 302-63-M8-50*	63	31	6.5	28.5	13.5	17.5	4	M8	50	91
GN 302-63-M8-63*	63	31	6.5	28.5	13.5	17.5	4	M8	63	96
GN 302-63-M10-20*	63	31	6.5	28.5	13.5	17.5	4	M10	20	85
GN 302-63-M10-25*	63	31	6.5	28.5	13.5	17.5	4	M10	25	88
GN 302-63-M10-32*	63	31	6.5	28.5	13.5	17.5	4	M10	32	92
GN 302-63-M10-40*	63	31	6.5	28.5	13.5	17.5	4	M10	40	94
GN 302-63-M10-50*	63	31	6.5	28.5	13.5	17.5	4	M10	50	95
GN 302-63-M10-63*	63	31	6.5	28.5	13.5	17.5	4	M10	63	106
GN 302-63-M10-80*	63	31	6.5	28.5	13.5	17.5	4	M10	80	116
GN 302-78-M8-16*	78	36	8	34	16	21	8	M8	16	129
GN 302-78-M8-20*	78	36	8	34	16	21	8	M8	20	130
GN 302-78-M8-25*	78	36	8	34	16	21	8	M8	25	131
GN 302-78-M8-32*	78	36	8	34	16	21	8	M8	32	134
GN 302-78-M8-40*	78	36	8	34	16	21	8	M8	40	138
GN 302-78-M8-50*	78	36	8	34	16	21	8	M8	50	141
GN 302-78-M8-63*	78	36	8	34	16	21	8	M8	63	145
GN 302-78-M8-80*	78	36	8	34	16	21	8	M8	80	150
GN 302-78-M10-16*	78	36	8	34	16	21	8	M10	16	135
GN 302-78-M10-20*	78	36	8	34	16	21	8	M10	20	137
GN 302-78-M10-25*	78	36	8	34	16	21	8	M10	25	139
GN 302-78-M10-32*	78	36	8	34	16	21	8	M10	32	140
GN 302-78-M10-40*	78	36	8	34	16	21	8	M10	40	144
GN 302-78-M10-50*	78	36	8	34	16	21	8	M10	50	150
GN 302-78-M10-63*	78	36	8	34	16	21	8	M10	63	157
GN 302-78-M10-80*	78	36	8	34	16	21	8	M10	80	164
GN 302-78-M12-25*	78	36	8	34	16	21	8	M12	25	143
GN 302-78-M12-32*	78	36	8	34	16	21	8	M12	32	148
GN 302-78-M12-40*	78	36	8	34	16	21	8	M12	40	154
GN 302-78-M12-50*	78	36	8	34	16	21	8	M12	50	161
GN 302-78-M12-63*	78	36	8	34	16	21	8	M12	63	169
GN 302-78-M12-80*	78	36	8	34	16	21	8	M12	80	181

* Complete the description of the standard item by adding the index of the colour of the lever body: SW (black), OS (orange), RS (red) or SR (silver).