

GN 300

Adjustable mini-handles

RoHS

- **Lever body**

Zinc alloy die-cast, epoxy resin coating.

- **Finish**

RAL 9005 black **SW**, RAL 2004 orange **OS**, RAL 3000 red **RS**, RAL 9006 silver **SR**, all matte finish, RAL 9001 graphite black **SZ**, epoxy resin coating.

Chromium-plated **CR**, uncoated **RH**.

- **Clamping element**

Black-oxide steel with threaded stud and toothed element for coupling to the lever body, treated steel retaining screw and return spring.

Special executions on request (For sufficient quantities)

- Lever body in different colours.

- Clamping element with different threadings and lengths.

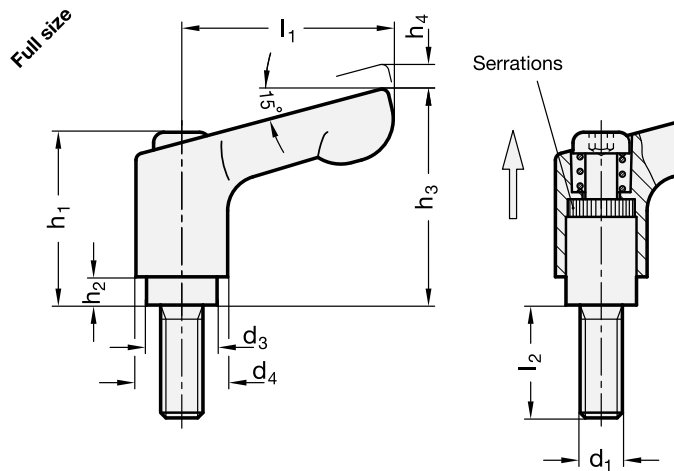
Features and applications

Particularly suitable when the lever turning angle is limited owing to lack of space.

Instructions of use

For clamping, lift the lever to disengage the clamping device toothing and bring it back to start position. By releasing the lever, the return spring automatically engages the toothing.

If the lever cannot make a 360° rotation, the clamping element can be easily screwed by means of the hexagon socket front head screw (after having disengaged the lever).



3

120

Clamping levers

Standard Elements	Main dimensions							Thread		Δ
Description	l ₂	d ₃	d ₄	h ₁	h ₂	h ₃	h ₄	d ₁	l ₁	g
GN 300-30-M3-6-*	6	10	13	24.5	4	31	3.5	M3	30	20
GN 300-30-M3-8-*	8	10	13	24.5	4	31	3.5	M3	30	22
GN 300-30-M3-10-*	10	10	13	24.5	4	31	3.5	M3	30	23
GN 300-30-M3-12-*	12	10	13	24.5	4	31	3.5	M3	30	24
GN 300-30-M3-16-*	16	10	13	24.5	4	31	3.5	M3	30	20
GN 300-30-M4-12-*	12	10	13	24.5	4	31	3.5	M4	30	28
GN 300-30-M4-16-*	16	10	13	24.5	4	31	3.5	M4	30	20
GN 300-30-M4-20-*	20	10	13	24.5	4	31	3.5	M4	30	28
GN 300-30-M4-25-*	25	10	13	24.5	4	31	3.5	M4	30	30
GN 300-30-M4-32-*	32	10	13	24.5	4	31	3.5	M4	30	20
GN 300-30-M5-12-*	12	10	13	24.5	4	31	3.5	M5	30	20
GN 300-30-M5-16-*	16	10	13	24.5	4	31	3.5	M5	30	40
GN 300-30-M5-20-*	20	10	13	24.5	4	31	3.5	M5	30	20
GN 300-30-M5-25-*	25	10	13	24.5	4	31	3.5	M5	30	30
GN 300-30-M5-32-*	32	10	13	24.5	4	31	3.5	M5	30	30
GN 300-30-M5-40-*	40	10	13	24.5	4	31	3.5	M5	30	32
GN 300-30-M5-50-*	50	10	13	24.5	4	31	3.5	M5	30	33
GN 300-30-M6-12-*	12	10	13	24.5	4	31	3.5	M6	30	20
GN 300-30-M6-16-*	16	10	13	24.5	4	31	3.5	M6	30	30
GN 300-30-M6-20-*	20	10	13	24.5	4	31	3.5	M6	30	31
GN 300-30-M6-25-*	25	10	13	24.5	4	31	3.5	M6	30	30
GN 300-30-M6-32-*	32	10	13	24.5	4	31	3.5	M6	30	33
GN 300-30-M6-40-*	40	10	13	24.5	4	31	3.5	M6	30	35
GN 300-30-M6-50-*	50	10	13	24.5	4	31	3.5	M6	30	40

* Complete the description of the standard item by adding the index of the colour of the lever body: SW (black), OS (orange), RS (red), SR (silver), SZ (graphite black), CR (chromium-plated) or RH (uncoated).