

Adjustable handles



- **Lever body**

Stainless steel (precision casting), sandblasted matte finish.

- **Clamping element**

AISI 303 stainless steel threaded stud with toothed element for coupling to the lever body, AISI 303 stainless steel screw and AISI 301 stainless steel return spring.

- **Standard versions available**

- Type **AS**: with external hexagon.
- Type **IS**: with internal hexagon.

Features and applications

Particularly suitable when the lever turning angle is limited owing to lack of space.

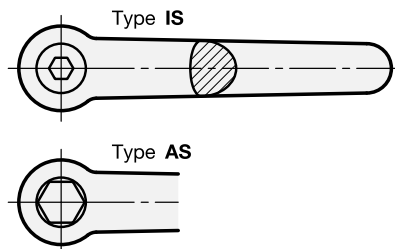
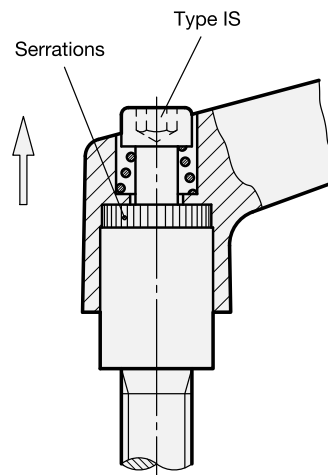
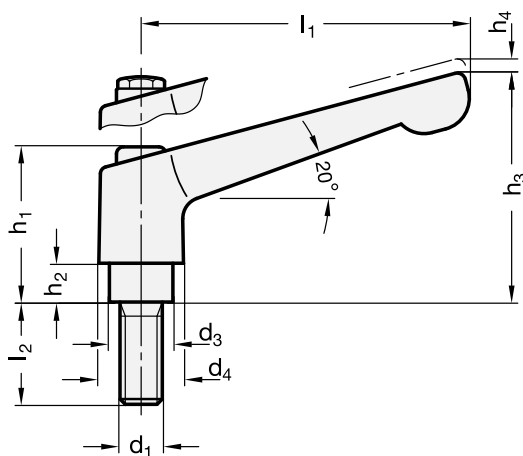
Retaining screws with hexagon head (Type AS) comply with the requirement "prevents water from accumulating".

Stainless steel, thanks to its high resistance to corrosion, allows the application of these adjustable handles on machines and equipment in those sectors where laws or particular hygienic, climatic and environmental factors make it mandatory to use corrosion resistant materials.

Instructions of use

For clamping, lift the lever to disengage the clamping device tooting and bring it back to start position. By releasing the lever, the return spring automatically engages the tootinging.

If the lever cannot make a 360° rotation, the clamping element can be easily screwed by means of the hexagon socket front head screw (after having disengaged the lever).



Standard Elements	Main dimensions							Thread		\triangle
Description	h ₁	d ₃	d ₄	h ₁	h ₂	h ₃	h ₄	d ₁	l ₂	g
GN 300.5-30-M3-6-*	30	10	13	24.5	4	31	3.5	M3	6	27
GN 300.5-30-M3-8-*	30	10	13	24.5	4	31	3.5	M3	8	28
GN 300.5-30-M3-10-*	30	10	13	24.5	4	31	3.5	M3	10	29
GN 300.5-30-M3-12-*	30	10	13	24.5	4	31	3.5	M3	12	30
GN 300.5-30-M3-16-*	30	10	13	24.5	4	31	3.5	M3	16	31
GN 300.5-30-M4-12-*	30	10	13	24.5	4	31	3.5	M4	12	30
GN 300.5-30-M4-16-*	30	10	13	24.5	4	31	3.5	M4	16	31
GN 300.5-30-M4-20-*	30	10	13	24.5	4	31	3.5	M4	20	32
GN 300.5-30-M4-25-*	30	10	13	24.5	4	31	3.5	M4	25	33
GN 300.5-30-M4-32-*	30	10	13	24.5	4	31	3.5	M4	32	34
GN 300.5-30-M5-12-*	30	10	13	24.5	4	31	3.5	M5	12	37
GN 300.5-30-M5-16-*	30	10	13	24.5	4	31	3.5	M5	16	38
GN 300.5-30-M5-20-*	30	10	13	24.5	4	31	3.5	M5	20	39
GN 300.5-30-M5-25-*	30	10	13	24.5	4	31	3.5	M5	25	40
GN 300.5-30-M5-32-*	30	10	13	24.5	4	31	3.5	M5	32	41
GN 300.5-30-M5-40-*	30	10	13	24.5	4	31	3.5	M5	40	42
GN 300.5-30-M5-50-*	30	10	13	24.5	4	31	3.5	M5	50	43
GN 300.5-30-M6-12-*	30	10	13	24.5	4	31	3.5	M6	12	38
GN 300.5-30-M6-16-*	30	10	13	24.5	4	31	3.5	M6	16	39
GN 300.5-30-M6-20-*	30	10	13	24.5	4	31	3.5	M6	20	40
GN 300.5-30-M6-25-*	30	10	13	24.5	4	31	3.5	M6	25	41
GN 300.5-30-M6-32-*	30	10	13	24.5	4	31	3.5	M6	32	42
GN 300.5-30-M6-40-*	30	10	13	24.5	4	31	3.5	M6	40	43
GN 300.5-30-M6-50-*	30	10	13	24.5	4	31	3.5	M6	50	44
GN 300.5-45-M4-12-*	45	10	13	24.5	4	35	3.5	M4	12	35
GN 300.5-45-M4-16-*	45	10	13	24.5	4	35	3.5	M4	16	36
GN 300.5-45-M4-20-*	45	10	13	24.5	4	35	3.5	M4	20	37
GN 300.5-45-M4-25-*	45	10	13	24.5	4	35	3.5	M4	25	38
GN 300.5-45-M4-32-*	45	10	13	24.5	4	35	3.5	M4	32	39
GN 300.5-45-M5-12-*	45	10	13	24.5	4	35	3.5	M5	12	41
GN 300.5-45-M5-16-*	45	10	13	24.5	4	35	3.5	M5	16	42
GN 300.5-45-M5-20-*	45	10	13	24.5	4	35	3.5	M5	20	43
GN 300.5-45-M5-25-*	45	10	13	24.5	4	35	3.5	M5	25	43
GN 300.5-45-M5-32-*	45	10	13	24.5	4	35	3.5	M5	32	44
GN 300.5-45-M5-40-*	45	10	13	24.5	4	35	3.5	M5	40	45
GN 300.5-45-M5-50-*	45	10	13	24.5	4	35	3.5	M5	50	49
GN 300.5-45-M6-12-*	45	10	13	24.5	4	35	3.5	M6	12	42
GN 300.5-45-M6-16-*	45	10	13	24.5	4	35	3.5	M6	16	43
GN 300.5-45-M6-20-*	45	10	13	24.5	4	35	3.5	M6	20	43
GN 300.5-45-M6-25-*	45	10	13	24.5	4	35	3.5	M6	25	44
GN 300.5-45-M6-32-*	45	10	13	24.5	4	35	3.5	M6	32	46
GN 300.5-45-M6-40-*	45	10	13	24.5	4	35	3.5	M6	40	47
GN 300.5-45-M6-50-*	45	10	13	24.5	4	35	3.5	M6	50	47

* Complete the description of the standard item needed by adding the type of the adjustable handle: IS (retaining screw with internal hexagon) or AS (retaining screw with external hexagon).

Standard Elements	Main dimensions							Thread		Δ
Description	l ₁	d ₃	d ₄	h ₁	h ₂	h ₃	h ₄	d ₁	l ₂	g
GN 300.5-63-M6-16-*	63	13.5	17.5	31	6.5	45	4	M6	16	97
GN 300.5-63-M6-20-*	63	13.5	17.5	31	6.5	45	4	M6	20	98
GN 300.5-63-M6-25-*	63	13.5	17.5	31	6.5	45	4	M6	25	100
GN 300.5-63-M6-32-*	63	13.5	17.5	31	6.5	45	4	M6	32	102
GN 300.5-63-M6-40-*	63	13.5	17.5	31	6.5	45	4	M6	40	105
GN 300.5-63-M6-50-*	63	13.5	17.5	31	6.5	45	4	M6	50	100
GN 300.5-63-M6-63-*	63	13.5	17.5	31	6.5	45	4	M6	63	102
GN 300.5-63-M8-16-*	63	13.5	17.5	31	6.5	45	4	M8	16	97
GN 300.5-63-M8-20-*	63	13.5	17.5	31	6.5	45	4	M8	20	98
GN 300.5-63-M8-25-*	63	13.5	17.5	31	6.5	45	4	M8	25	100
GN 300.5-63-M8-32-*	63	13.5	17.5	31	6.5	45	4	M8	32	102
GN 300.5-63-M8-40-*	63	13.5	17.5	31	6.5	45	4	M8	40	105
GN 300.5-63-M8-50-*	63	13.5	17.5	31	6.5	45	4	M8	50	107
GN 300.5-63-M8-63-*	63	13.5	17.5	31	6.5	45	4	M8	63	112
GN 300.5-78-M8-20-*	78	16	21	36	8	55	4	M8	20	155
GN 300.5-78-M8-25-*	78	16	21	36	8	55	4	M8	25	157
GN 300.5-78-M8-32-*	78	16	21	36	8	55	4	M8	32	158
GN 300.5-78-M8-40-*	78	16	21	36	8	55	4	M8	40	162
GN 300.5-78-M8-50-*	78	16	21	36	8	55	4	M8	50	167
GN 300.5-78-M8-63-*	78	16	21	36	8	55	4	M8	63	174
GN 300.5-78-M8-80-*	78	16	21	36	8	55	4	M8	80	181
GN 300.5-78-M10-20-*	78	16	21	36	8	55	4	M10	20	163
GN 300.5-78-M10-25-*	78	16	21	36	8	55	4	M10	25	165
GN 300.5-78-M10-32-*	78	16	21	36	8	55	4	M10	32	166
GN 300.5-78-M10-40-*	78	16	21	36	8	55	4	M10	40	170
GN 300.5-78-M10-50-*	78	16	21	36	8	55	4	M10	50	176
GN 300.5-78-M10-63-*	78	16	21	36	8	55	4	M10	63	183
GN 300.5-78-M10-80-*	78	16	21	36	8	55	4	M10	80	190
GN 300.5-92-M10-20-*	92	19	24	43	11	63	4	M10	20	240
GN 300.5-92-M10-25-*	92	19	24	43	11	63	4	M10	25	245
GN 300.5-92-M10-32-*	92	19	24	43	11	63	4	M10	32	249
GN 300.5-92-M10-40-*	92	19	24	43	11	63	4	M10	40	253
GN 300.5-92-M10-50-*	92	19	24	43	11	63	4	M10	50	259
GN 300.5-92-M10-63-*	92	19	24	43	11	63	4	M10	63	265
GN 300.5-92-M10-80-*	92	19	24	43	11	63	4	M10	80	275
GN 300.5-92-M12-20-*	92	19	24	43	11	63	4	M12	20	242
GN 300.5-92-M12-25-*	92	19	24	43	11	63	4	M12	25	245
GN 300.5-92-M12-32-*	92	19	24	43	11	63	4	M12	32	249
GN 300.5-92-M12-40-*	92	19	24	43	11	63	4	M12	40	253
GN 300.5-92-M12-50-*	92	19	24	43	11	63	4	M12	50	259
GN 300.5-92-M12-63-*	92	19	24	43	11	63	4	M12	63	265
GN 300.5-92-M12-80-*	92	19	24	43	11	63	4	M12	80	275

* Complete the description of the standard item needed by adding the type of the adjustable handle: IS (retaining screw with internal hexagon) or AS (retaining screw with external hexagon).