

Adjustable handles



- **Lever body**

Stainless steel (precision casting), sandblasted matte finish.

- **Clamping element**

AISI 303 stainless steel with threaded hole and toothed element for coupling to the lever body, AISI 303 stainless steel screw and AISI 301 stainless steel return spring.

- **Standard versions available**

- Type **AS**: retaining screw with external hexagon.
- Type **IS**: retaining screw with internal hexagon.

Features and applications

Particularly suitable when the lever turning angle is limited owing to lack of space.

Retaining screws with hexagon head (Type AS) comply with the requirement "prevents water from accumulating".

Stainless steel, thanks to its high resistance to corrosion, allows the application of these adjustable handles on machines and equipment in those sectors where laws or particular hygienic, climatic and environmental factors make it mandatory to use corrosion resistant materials.

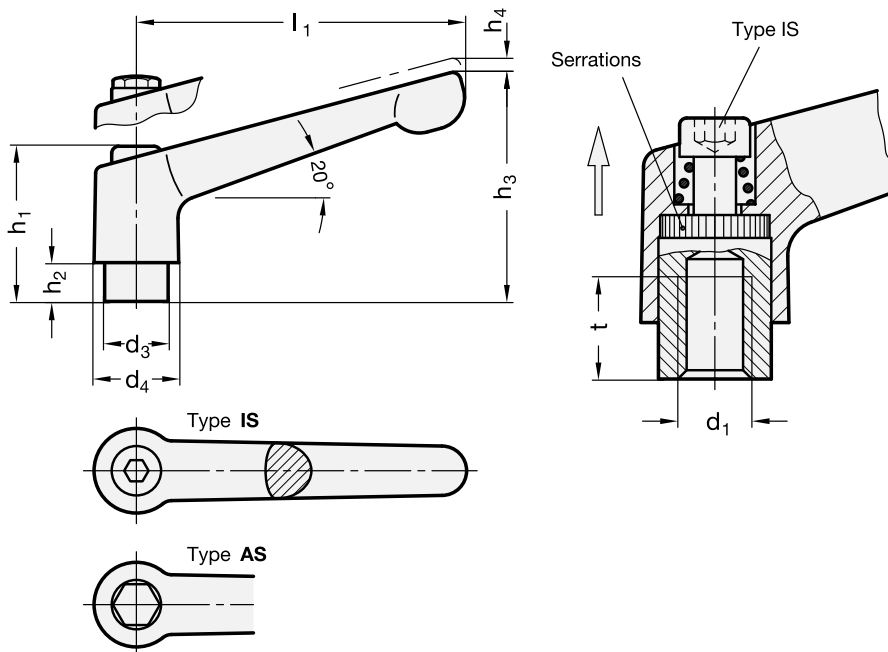
Instructions of use

For clamping, lift the lever to disengage the clamping device tooting and bring it back to start position. By releasing the lever, the return spring automatically engages the tootinging.

If the lever cannot make a 360° rotation, the clamping element can be easily screwed by means of the hexagon socket front head screw (after having disengaged the lever).



3
124
Clamping levers



Standard Elements	Main dimensions							Mounting hole		\triangle
Description	l ₁	d ₃	d ₄	h ₁	h ₂	h ₃	h ₄	d ₁	t _{min.}	g
GN 300.5-30-M3-IS	30	10	13	24.5	4	31	3.5	M3	7	27
GN 300.5-30-M3-AS	30	10	13	24.5	4	31	3.5	M3	7	27
GN 300.5-30-M4-IS	30	10	13	24.5	4	31	3.5	M4	9	27
GN 300.5-30-M4-AS	30	10	13	24.5	4	31	3.5	M4	9	27
GN 300.5-30-M5-IS	30	10	13	24.5	4	31	3.5	M5	9	26
GN 300.5-30-M5-AS	30	10	13	24.5	4	31	3.5	M5	9	26
GN 300.5-30-M6-IS	30	10	13	24.5	4	31	3.5	M6	9	25
GN 300.5-30-M6-AS	30	10	13	24.5	4	31	3.5	M6	9	25
GN 300.5-45-M4-IS	45	10	13	24.5	4	35	3.5	M4	9	35
GN 300.5-45-M4-AS	45	10	13	24.5	4	35	3.5	M4	9	35
GN 300.5-45-M5-IS	45	10	13	24.5	4	35	3.5	M5	9	40
GN 300.5-45-M5-AS	45	10	13	24.5	4	35	3.5	M5	9	40
GN 300.5-45-M6-IS	45	10	13	24.5	4	35	3.5	M6	9	39
GN 300.5-45-M6-AS	45	10	13	24.5	4	35	3.5	M6	9	39
GN 300.5-63-M6-IS	63	13.5	17.5	31	6.5	45	4	M6	11	90
GN 300.5-63-M6-AS	63	13.5	17.5	31	6.5	45	4	M6	11	90
GN 300.5-63-M8-IS	63	13.5	17.5	31	6.5	45	4	M8	11	88
GN 300.5-63-M8-AS	63	13.5	17.5	31	6.5	45	4	M8	11	88
GN 300.5-78-M8-IS	78	16	21	36	8	55	4	M8	14	147
GN 300.5-78-M8-AS	78	16	21	36	8	55	4	M8	14	147
GN 300.5-78-M10-IS	78	16	21	36	8	55	4	M10	14	143
GN 300.5-78-M10-AS	78	16	21	36	8	55	4	M10	14	143
GN 300.5-92-M10-IS	92	19	24	43	11	63	4	M10	17	187
GN 300.5-92-M10-AS	92	19	24	43	11	63	4	M10	17	187
GN 300.5-92-M12-IS	92	19	24	43	11	63	4	M12	17	178
GN 300.5-92-M12-AS	92	19	24	43	11	63	4	M12	17	178