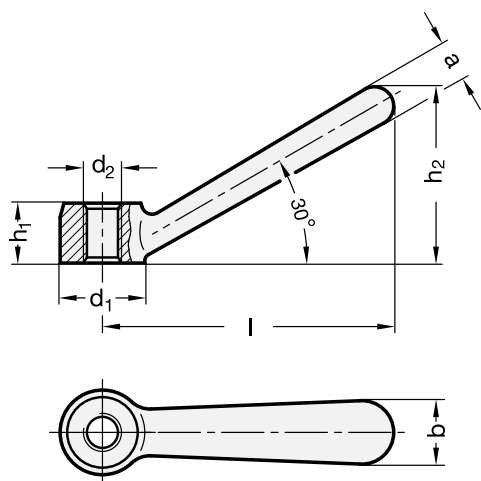


Clamping levers

RoHS

- **Material**
AISI CF-8 stainless steel, fine-casting, shot blasted.
Contact faces machined.
- **Assembly**
Tapped through hole.

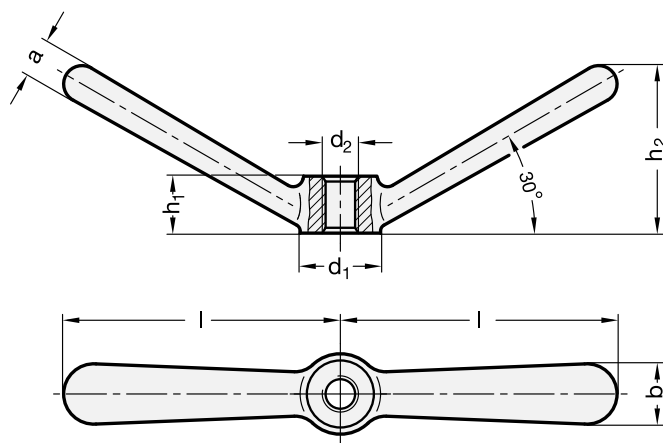


Standard Elements	Main dimensions					Mounting hole		⚖
Description	d1	a	b	h2 ≈	l ≈	d2	h1	g
GN 206-16-M8-NI	16	7	12	34	56	M8	12	30
GN 206-20-M10-NI	20	9	14	42.5	70	M10	14	60
GN 206-25-M12-NI	25	11	18	53	87	M12	18	125
GN 206-32-M16-NI	32	15	22	66.5	109	M16	22	248
GN 206-40-M20-NI	40	18	28	84.5	140	M20	28	518

Clamping nuts with double lever

RoHS

- **Material**
AISI CF-8 stainless steel, fine-casting, shot blasted.
Contact faces machined.
- **Assembly**
Tapped through hole.



Standard Elements	Main dimensions					Mounting hole		⚖
Description	d1	a	b	h2 ≈	l ≈	d2	h1	g
GN 206.1-16-M8-NI	16	7	12	34	56	M8	12	53
GN 206.1-20-M10-NI	20	9	14	42	70	M10	14	98
GN 206.1-25-M12-NI	25	11	18	53	87	M12	18	200
GN 206.1-32-M16-NI	32	15	22	66	109	M16	22	396
GN 206.1-40-M20-NI	40	18	28	84	140	M20	28	720