

Flat adjustable tension lever

RoHS

• Lever body

AISI 303 stainless steel, matte shot-blasted.

- Version **D**: straight lever.

- Version **E**: angled lever.

• Handle

Phenolic based (PF) Duroplast, black colour, glossy finish type DIN 319 (see catalogue 038, page 362). Resistant to solvents, oils, greases and other chemical agents.

• Clamping element

AISI 303 stainless steel with threaded hole and toothed element for coupling to the lever body, threaded steel return spring.

• Hub cap

Anodised aluminium, natural colour.

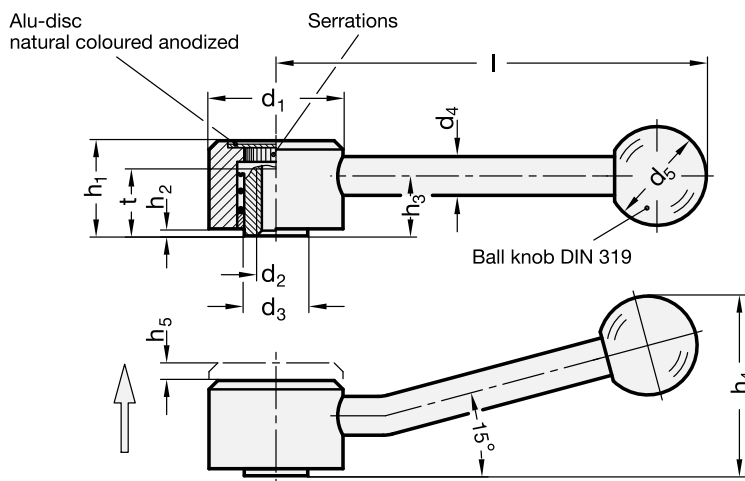


Features and applications

The overall height of flat adjustable tension levers GN 125.5 is reduced to a minimum. As all other adjustable levers, they are ideal whenever parts have to be clamped in a confined space, or a particular lever position is required. The threaded insert is connected with the hub via serrations which can be disengaged. Pulling the lever, disengages the serrations and the lever can be swivelled to the ideal clamping position. On releasing the lever it will automatically re-engage.

Instructions

For clamping, lift the lever to disengage the clamping device toothing and bring it back to start position. By releasing the lever, the return spring automatically engages the toothing.



Standard Elements	Main dimensions										Mounting hole		△△
	Description	d1	d3	d4	d5	h1	h2	h3	h4 ≈	h5	t min.	d2	
GN 125.5-32-M6-D	32	13.5	8	20	20.5	1.5	12.5	-	4	11	M6	100	160
GN 125.5-32-M6-E	32	13.5	8	20	20.5	1.5	12.5	36	4	11	M6	100	160
GN 125.5-32-M8-D	32	13.5	8	20	20.5	1.5	12.5	-	4	11	M8	100	160
GN 125.5-32-M8-E	32	13.5	8	20	20.5	1.5	12.5	36	4	11	M8	100	160
GN 125.5-36-M8-D	36	16	10	25	24.5	2	15	-	4.5	14	M8	120	233
GN 125.5-36-M8-E	36	16	10	25	24.5	2	15	45	4.5	14	M8	120	233
GN 125.5-36-M10-D	36	16	10	25	24.5	2	15	-	4.5	14	M10	120	230
GN 125.5-36-M10-E	36	16	10	25	24.5	2	15	45	4.5	14	M10	120	230
GN 125.5-40-M10-D	40	19	12	30	30	4	19	-	4.5	17	M10	130	320
GN 125.5-40-M10-E	40	19	12	30	30	4	19	53	4.5	17	M10	130	320
GN 125.5-40-M12-D	40	19	12	30	30	4	19	-	4.5	17	M12	130	340
GN 125.5-40-M12-E	40	19	12	30	30	4	19	53	4.5	17	M12	130	340
GN 125.5-45-M12-D	45	23	12	32	35.5	4	24	-	5	23	M12	145	492
GN 125.5-45-M12-E	45	23	12	32	35.5	4	24	64	5	23	M12	145	492
GN 125.5-45-M16-D	45	23	12	32	35.5	4	24	-	5	23	M16	145	440
GN 125.5-45-M16-E	45	23	12	32	35.5	4	24	64	5	23	M16	145	440