

ELESA Original design

Adjustable handles



Lever body

Glass-fibre reinforced polyamide based (PA) technopolymer. Resistant to solvents, oils, greases and other chemical agents.

Colour

Grey-black, matte finish.

Push button

Technopolymer in Ergostyle colours, glossy finish.

Standard execution

Glass-fibre reinforced technopolymer clamping element with retaining pin, black colour, with knurling on the protruding part to make initial tightening easier. AISI 302 stainless steel return spring.

AISI 303 stainless steel boss, threaded blind hole.



EXTENDED RANGE



Other executions on request

Lever body in orange (C2) with black push button (C1).

Example: code 235071-C2-C1 description ERX.30-SST-C2-M5-C1.

Features and applications

Particularly suitable when the lever turning angle is limited owing to lack of space.

Compared to other types of adjustable handles with metal retaining screw this solution offers:

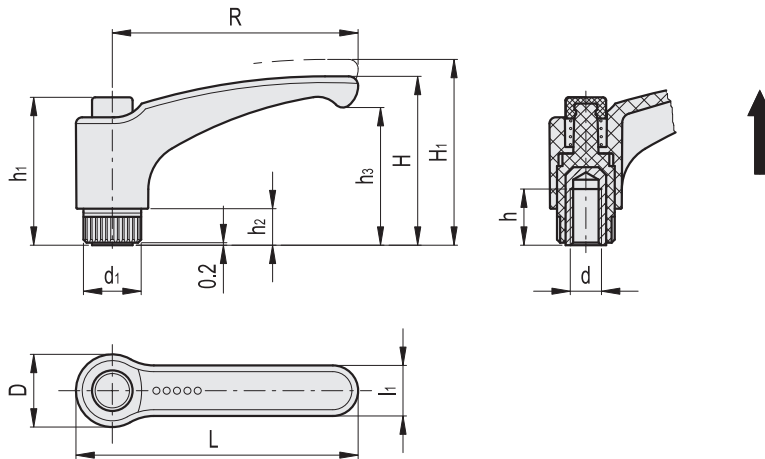
- absolute electric insulation for the operator's hand
- more comfortable lever release.

Stress resistance

See ERX. on page 106.

Instructions of use

For clamping, lift the lever to disengage the clamping device toothing and bring it back to start position. By releasing the lever, the return spring automatically engages the teeth.



* Complete with colour index, example: 235101-C2 ERX.44 SST-M5-C2

C1 RAL7021
 C2 RAL2004
 C3 RAL7035
 C4 RAL1021
 C5 RAL5024
 C6 RAL3000

Standard Elements		Main dimensions										Mounting hole		Teeth no.	Δ
Code	Description	R	L	D	H	H ₁	h ₁	h ₂	h ₃	d ₁	l ₁	d 6H	h	z	g
235071-*	ERX.30 SST-M5-*	30	37.5	15.5	30	33.5	29.5	6	23	12	9	M5	6	18	8
235076-*	ERX.30 SST-M6-*	30	37.5	15.5	30	33.5	29.5	6	23	12	9	M6	10	18	6
235101-*	ERX.44 SST-M5-*	44	52	15.5	32.5	36	29.5	6	25	12	11	M5	6	18	11
235106-*	ERX.44 SST-M6-*	44	52	15.5	32.5	36	29.5	6	25	12	11	M6	10	18	10
235131-*	ERX.63 SST-M6-*	63	73.5	19	43	47	37.5	8	34.5	15	13.5	M6	12	20	22
235136-*	ERX.63 SST-M8-*	63	73.5	19	43	47	37.5	8	34.5	15	13.5	M8	13	20	20
235151-*	ERX.78 SST-M8-*	78	90.5	23	54	58	47	12	44	19	16	M8	13	24	46
235156-*	ERX.78 SST-M10-*	78	90.5	23	54	58	47	12	44	19	16	M10	17	24	44
235176-*	ERX.95 SST-M12-*	95	109	26.5	64.5	69	54.5	13	53	21.5	18	M12	20	26	52
235191-*	ERX.108 SST-M12-*	108	123	30	65.5	70	54.5	11	52.5	25	20	M12	20	28	60