

Safety adjustable handles with push action



• Lever body

Glass-fibre reinforced polyamide based (PA) technopolymer, with "PUSH" tampoprinted in red colour (avoid contact with solvents, alcohol or detergents containing alcohol).

• Colour

Grey-black, matte finish.

• Standard executions

Glass-fibre reinforced technopolymer clamping element, black colour, with knurling on the protruding part to make initial tightening easier. Black-oxide steel retaining screw, AISI 302 stainless steel return spring.

Black-oxide steel threaded stud, chamfered flat end UNI 947 : ISO 4753 (see catalogue 038, page A11).

Features and applications

Particularly suitable when the lever turning angle is limited owing to lack of space and to avoid any accidental shocks which may affect the clamping action.

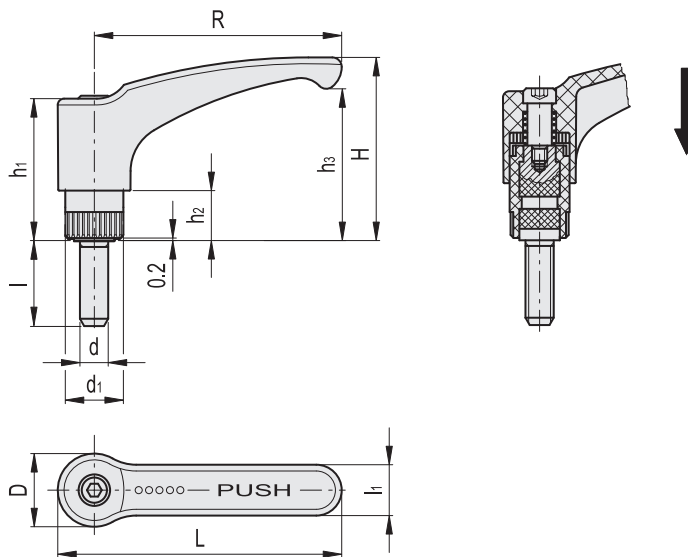
Stress resistance

See ERX. on page 106.

Instructions of use

For clamping push the lever to engage the clamping device toothing and turn it. By releasing the lever, the return spring automatically disengages the toothing and lever return to its rest position.

In case of accidental shocks, the lever turns freely without affecting the clamping action enabling the operator to manoeuvre in safety.



Standard Elements		Main dimensions									Threaded stud		Theeth no.	⚖
Code	Description	R	L	D	H	h1	h2	h3	d1	l1	d 6g	l	z	g
236972	ERS.44 p-M6x16	44	52	15.5	36	29	9	28	12	11	M6	16	18	18
236974	ERS.44 p-M6x25	44	52	15.5	36	29	9	28	12	11	M6	25	18	21
237003	ERS.63 p-M8x20	63	73.5	19	48	37	12	37	15	13.5	M8	20	20	38
237005	ERS.63 p-M8x30	63	73.5	19	48	37	12	37	15	13.5	M8	30	20	43