

Lever handles



- Material**

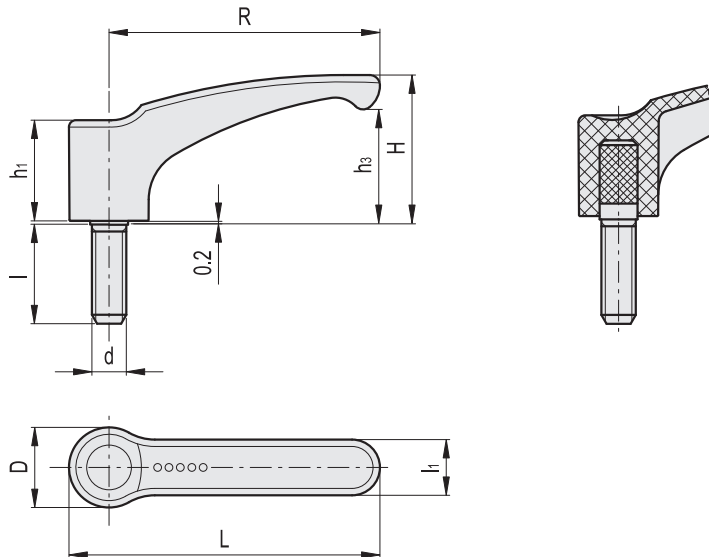
Glass-fibre reinforced polyamide based (PA) technopolymer. Resistant to solvents, oils, greases and other chemical agents.

- Colour**

Grey-black, matte finish.

- Standard execution**

Zinc-plated steel threaded stud, chamfered flat end according to UNI 947 : ISO 4753 (see catalogue 038, page A11).



Standard Elements		Main dimensions							Threaded stud		⚖
Code	Description	R	L	D	H	h ₁	h ₃	l ₁	d _{6g}	l	g
232116-C1	ERF.44 p-M6x16-C1	44	52	15.5	26.5	19	19	11	M6	16	13
232136-C1	ERF.63 p-M8x25-C1	63	73.5	19	35	24.5	26.5	13.5	M8	25	32
232140-C1	ERF.63 p-M8x45-C1	63	73.5	19	35	24.5	26.5	13.5	M8	45	42
232156-C1	ERF.78 p-M10x30-C1	78	90.5	23	42	29.5	32	16	M10	30	61
232176-C1	ERF.95 p-M12x50-C1	95	109	26.5	51.5	34	40	18	M12	50	85